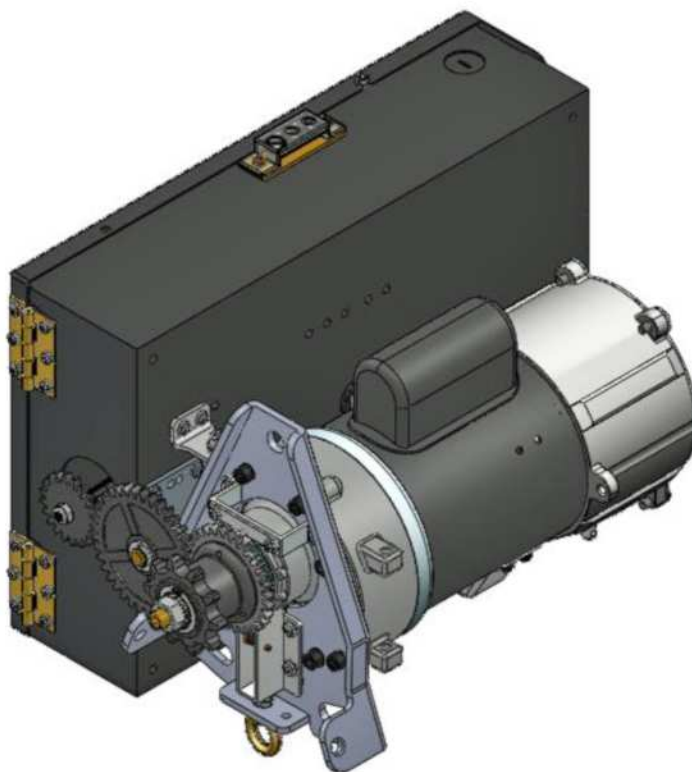


» OPERADOR INDUSTRIAL LATERAL PARA CORTINA ENROLLABLE MARCA  
COOKSON, CORNELL, RAYNOR, LAWRENCE DOOR SERIE MGRL 115V 1/3HP,  
1/2HP.



MGRL Series **1/3HP**

Commercial and Industrial Door Operator

Hybrid Logic Control

Restricted Duty Operators

# MANUAL DE INSTALACION



(229) 461-7028

portonesautomaticos@adsver.com.mx  
portonesautomaticos@prodigy.net.mx



V05.21

## **IMPORTANT INSTALLATION INSTRUCTIONS**

### **WARNING – To reduce the risk of death or serious injury to persons:**

1. READ AND FOLLOW ALL INSTALLATION INSTRUCTIONS.



### **WARNING**

**WARNING!** – Components under **extreme spring tension** can cause death or serious injury.

2. Install only on a properly operating and balanced door. A door that is operating improperly could cause death or serious injury. Have trained door systems technicians make all necessary adjustments and repairs to the door before installing the operator.
3. Remove any pull ropes that may be installed on the door.
4. Install the door operator at least 8 feet or more above the floor if the operator has exposed moving parts. If the operator must be mounted less than 8 feet (2.44 m) above the floor, then exposed moving parts must be protected by covers or guarding. Contact the manufacturer.
5. Do not connect the door operator to the source of power until instructed to do so.
6. Locate the control station (open-close-stop push button, key station, or the like):  
(a) within sight of the door, and (b) at a minimum height of 5 feet above floors, landings, steps, or any other adjacent walking surface and (c) away from all moving parts of the door.
7. Install the Entrapment Warning Placard next to the control station in a prominent location.
8. Make sure the available power supply to be connected to the operator is of the same voltage, frequency, phase and wattage as indicated on the nameplate of the operator.
9. Read and understand the wiring diagram of the operator and the control station and any other equipment to be connected to the operator.
10. Always disconnect power whenever installing or servicing the door operator or door.
11. All wiring must be permanent and comply with National Electrical Code (NEC) and local code requirements.
12. Any change in mounting position may result in a change of operator rotation and consequently in a change of control functions. Consult factory for any changes.
13. If the operator is provided with an auxiliary chain operator, the hand chain must be kept inside the chain bag when operating electrically.
14. For products having a manual release, instruct the end user on the operation of the manual release.

## SPECIFICATIONS

<b>MOTOR</b>	
Type:	Restricted cycle duty (20 cycles per hour)
Horsepower:	1/3 hp, 1/2 hp
Speed:	1700 RPM
Voltage:	115, 230 – 1 phase 208/230, 460, 575 – 3 phase 230 volt motor is suitable for use with 208 volts (see <i>Wiring Diagrams and Appendix 6 for wiring change instructions</i> )
Current:	See motor nameplate
<b>ELECTRICAL</b>	
Transformer:	24VAC
Wiring Type:	Momentary pressure open, stop, constant pressure close (provided standard), with provision for momentary pressure close*
Limit Adjustment:	Linear driven, fully adjustable screw type cams.
<b>MECHANICAL</b>	
Drive Reduction:	43:1
Output Shaft Speed:	39 RPM
Door Speed:	6 - 8" per sec. average (typical)
Brake:	Solenoid actuated brake
Auxiliary Chain Hoist:	(Optional) Field-installed module
<b>ENTRAPMENT PROTECTION</b>	
Sensing Edge*:	(Optional) Sensing device attached to the bottom edge of the door.
Non-Contact Device*:	(Optional) Photo eye device.
<p><b>* Per the requirements of UL Standard 325, the door operator is setup for constant pressure to close the door. As an alternative, the door may be provided with at least one <u>monitored</u> sensing device that will reverse the door upon contact with, or upon detecting an obstruction, during closing.</b></p>	

### Notes:

1. A non-contact sensing device (photo eye) can only be used on doors up to 35 ft. wide (or maximum rated range of device if less than 35 ft.). Use a sensing edge to provide entrapment protection on doors over 35 ft. wide.
2. A sensing edge can be used on all doors without size restriction.

## TYPES AND SIZES OF DOORS

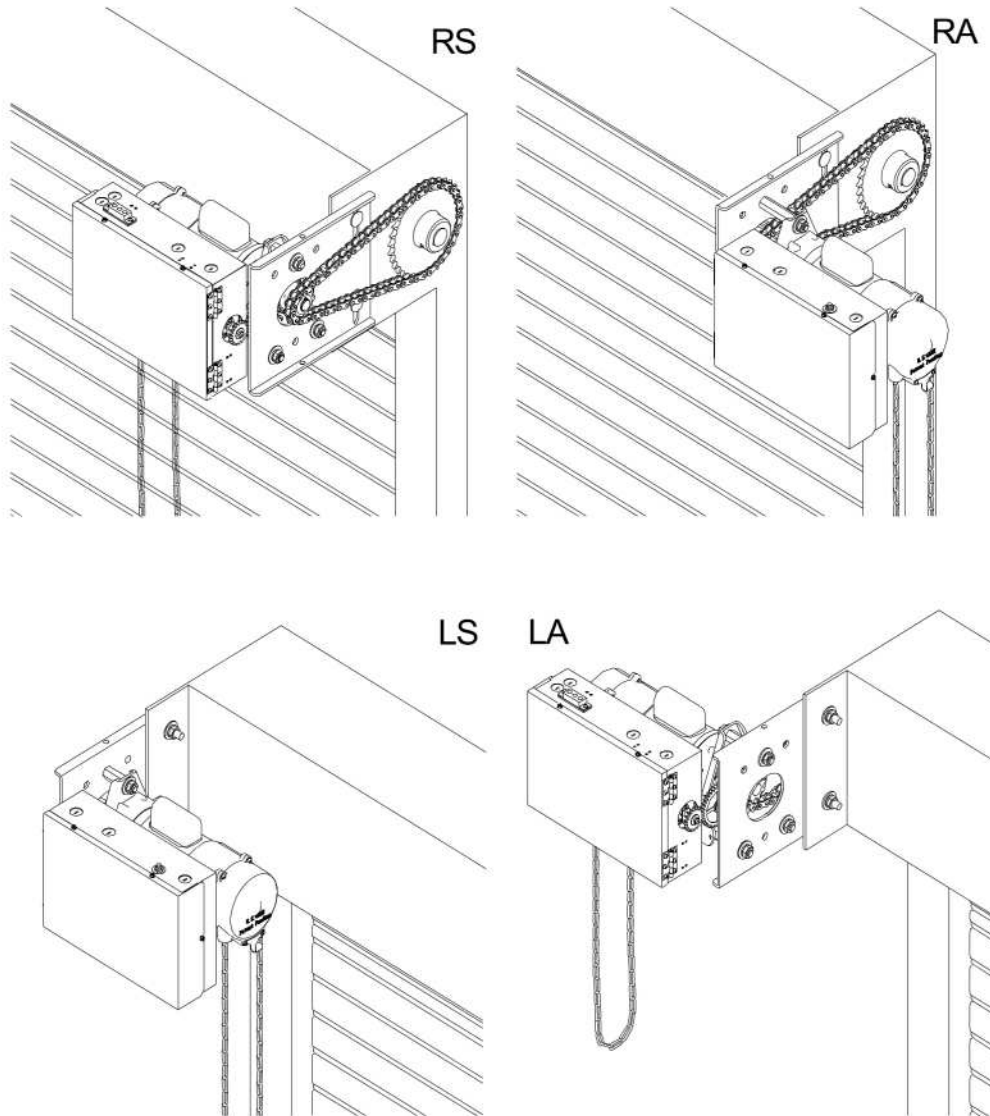
<b>STANDARD CYCLE USAGE (up to 20,000 cycles - 20 cycles per hour max.)</b>								
<b>HP</b>	<b>MAXIMUM AREA - SQ. FT.</b>							
	<b>Service Doors</b>				<b>Insulated Doors - Slats with PVC Back</b>			
	24 ga.	22 ga.	20 ga.	18 ga.	24 ga.	22 ga.	20 ga.	18 ga.
1/3	300	240	200	150	215	185	160	125
1/2	425	350	300	225	325	275	240	185
<b>HP</b>	<b>Insulated Doors - Slats with Steel Back</b>						<b>Grilles &amp; Closures</b>	
	24 ga. Back			22 ga. Back			Aluminum	Steel or Stainless Steel
	22 ga.	20 ga.	18 ga.	22 ga.	20 ga.	18 ga.		
1/3	140	125	105	135	120	100	400	240
1/2	210	190	160	200	180	150	600	350

**NOTE:** Consideration should be given to the type and size of door/grille on which the MGRL motor operator with auxiliary release is used, as it must be manually lifted open for emergency operation. Larger size doors/grilles may be better suited for the MGRL motor operator with optional auxiliary chain operator or optional auxiliary hand crank. Consult factory for addition of an auxiliary chain or crank operator to MGRL motor operators.

# INSTALLATION INSTRUCTIONS

(Shown with optional auxiliary chain hoist)

## OPERATOR MOUNTING POSITIONS



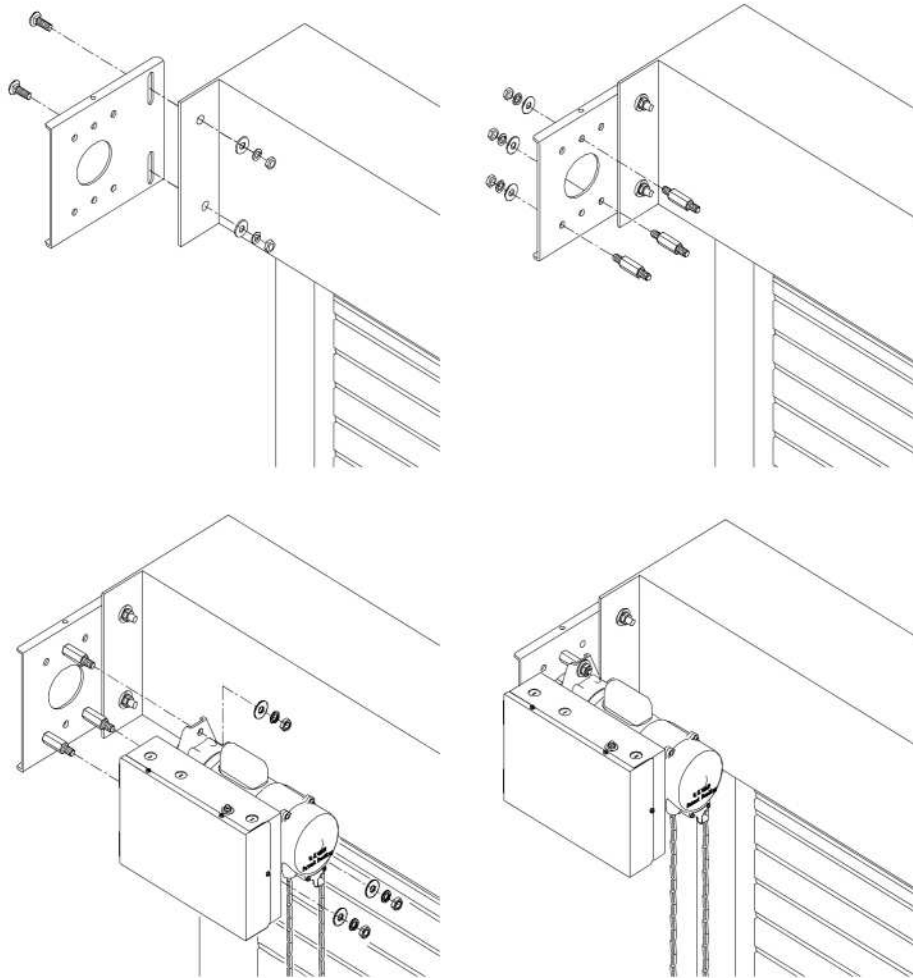
**Consult factory for changes in mounting positions.**

**NOTE:** Any change in mounting position may result in a change of operator rotation and consequently in a change of control functions. Consult factory for any changes. (LS and RA mounting positions are LH operators, RS and LA positions are RH operators)

Operators mounted in alternate positions (LA, RA) require the long mounting legs in lieu of the standard short mounting legs.

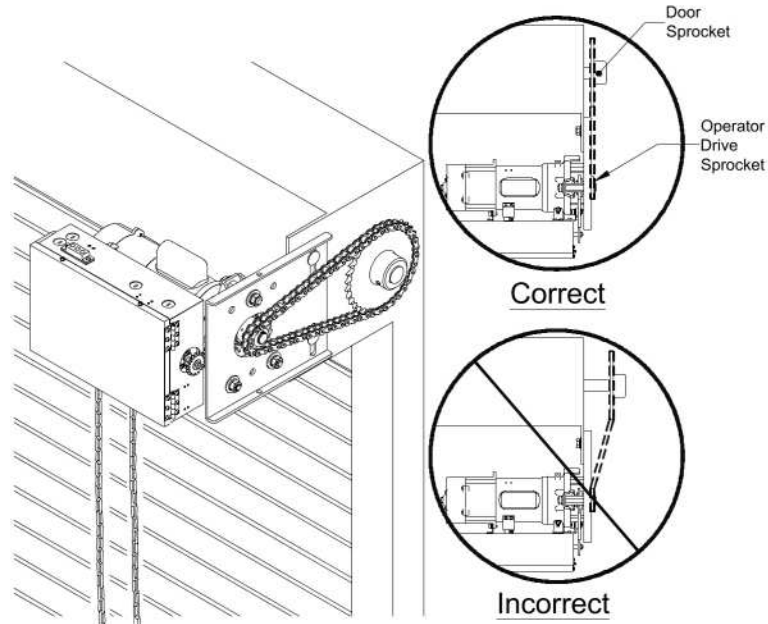
## OPERATOR MOUNTING

1. Before the operator is installed, verify that the door is properly operating and balanced.
2. Make sure the layout of the mounting holes on the bracket is correct.
3. Bolt the operator mounting plate to the door bracket plate.
4. Attach and tighten the three mounting legs to the mounting plate.
5. Mount the operator to the three legs and tighten.





- When the operator assembly is attached to the door bracket, be sure the door driven sprocket is properly aligned with the operator drive sprocket before securing the driven sprocket to the shaft.
- The bracket must provide adequate support for the operator. Prevent play between the operator and the door shaft. The operator must be securely attached with the drive shaft parallel to the door shaft. It may be necessary to field brace the operator/bracket.



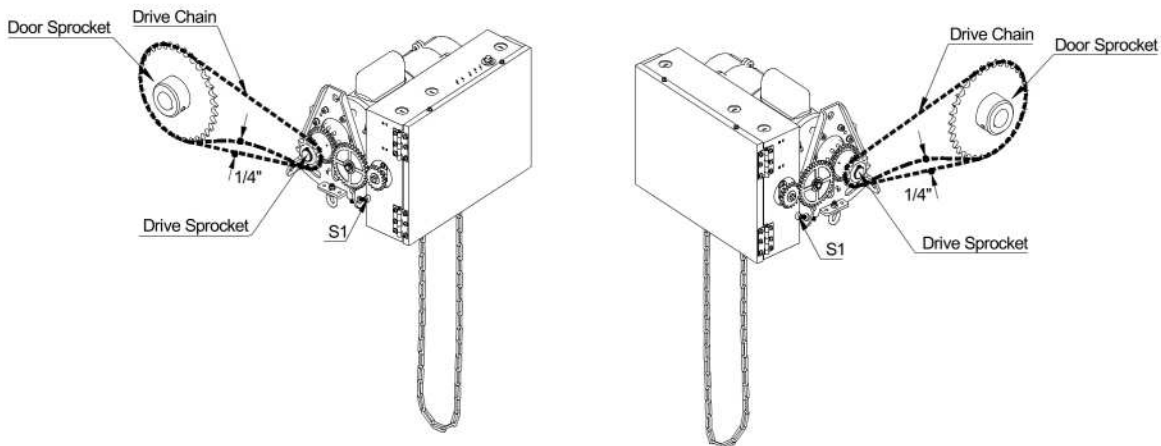
## **DRIVE CHAIN ADJUSTMENT**

**NOTE: Use correct type, size and proper length of roller chain.**

- Adjust the drive chain by tilting or move the operator so that there is about 1/4" of slack when the chain is depressed.

Note: The set screws on the operator base (S1) may be used to make the adjustment.

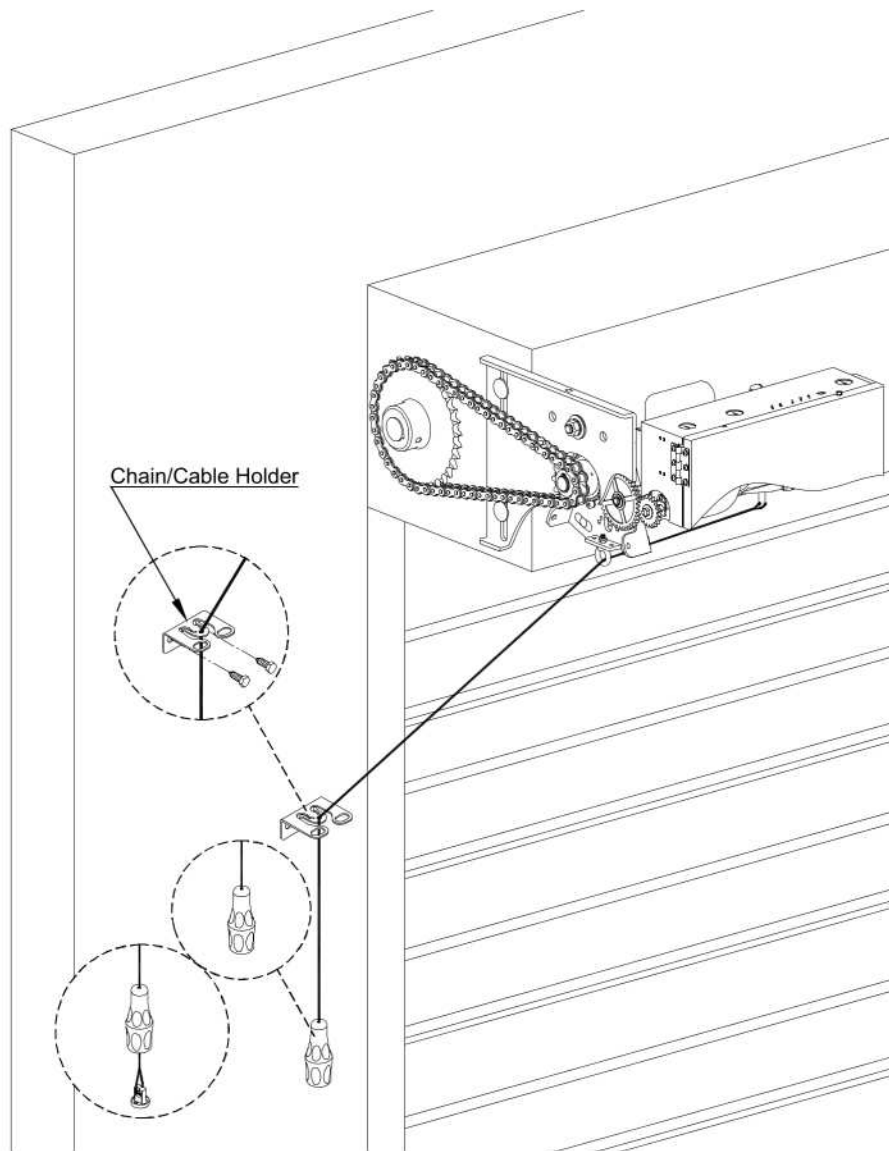
- Once the drive chain has been tightened and the base leg screws have been set, then tighten the operator set screws.



## **AUXILIARY RELEASE**

Cut and adjust the cable length. If an egress device is to be installed, connect the egress device cable to the operator in place of the auxiliary release cable.

**NOTE:** When an auxiliary hand chain is provided, a cable is not required. Use cable only on operators without an auxiliary hand chain or when an egress device is used in conjunction with an auxiliary hand chain.



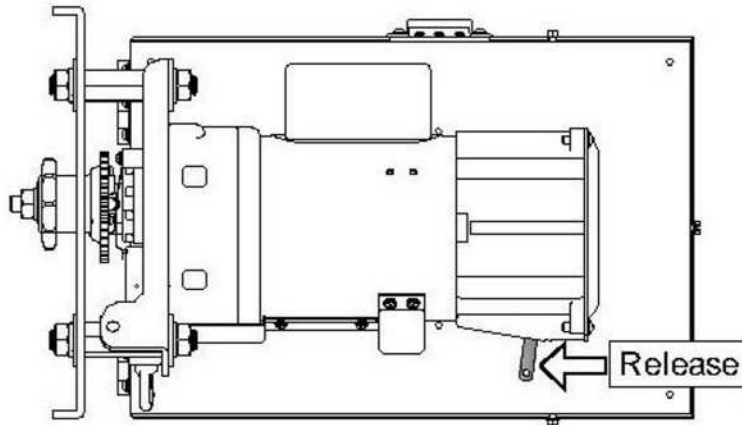
## **AUXILIARY HAND CHAIN ADJUSTMENT**

If necessary, on operators with an auxiliary hand chain, cut and reconnect the chain with the different color connecting link provided. Completely close the connecting link so it is properly aligned.

Auxiliary chain hoist or auxiliary hand crank modules can be added in the field. Consult factory for details.



## **BRAKE RELEASE LEVER**



### **WARNING**

Releasing the door operator brake, or loosening or removing any part of the door operator drive system, can cause the door to close and cause death or serious injury. **Do NOT release the brake, or loosen or remove any part of the door operator drive system**, unless the door is closed, or the curtain is secured in the open position to prevent uncoiling.

1. Pressing the brake release lever will release the motor brake and can cause the door to move uncontrolled.
2. Microswitch SW2 is activated when the brake release lever is pressed – see wiring diagrams for details.
3. Open-close-stop controls do not function while the brake release lever is pressed.

**NOTE:** *A door sprung for emergency egress can open when the brake release lever is pressed.*

## LIMIT SWITCH ADJUSTMENT

**Make sure the limit cams are positioned between the limit switch actuators before proceeding with adjustments.**

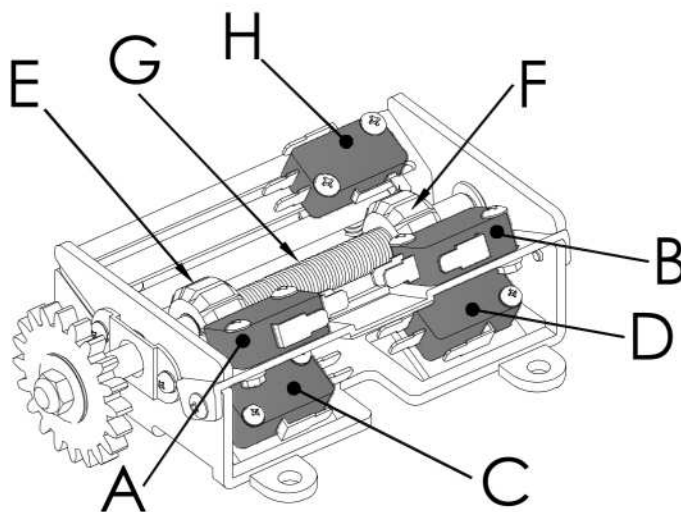
1. Open the control panel cover.
2. Open or close the door part way to determine the direction of travel of the limit switch cams.
3. Open or close the door to the desired position.



### **WARNING**

**Disconnect power before adjusting limit switch cams.**

4. While pressing the spring-loaded plate (G), which holds the limit switch cams in place, adjust the limit switch cam (E or F) until the micro switch (C or D) clicking sound is heard.
5. If the limit switch cam cannot be rotated to its desired position, release the plate and move the door away from the desired position, then adjust the limit switch cam to its desired position. It may be necessary to repeat this step until the exact position has been reached.
6. Repeat step 3 and 4 for the opposite direction. Adjust close limit cams so that actuator is engaged as door fully closes to the floor.
7. "B" is usually the sensing edge cut-off switch and can be adjusted to accommodate sensing edge cut-off position. It is recommended that the switch position be adjusted as low as possible without interfering with close limit switch function.
8. Micro switch (H) can be adjusted to lengthen or shorten lock sensor distance.



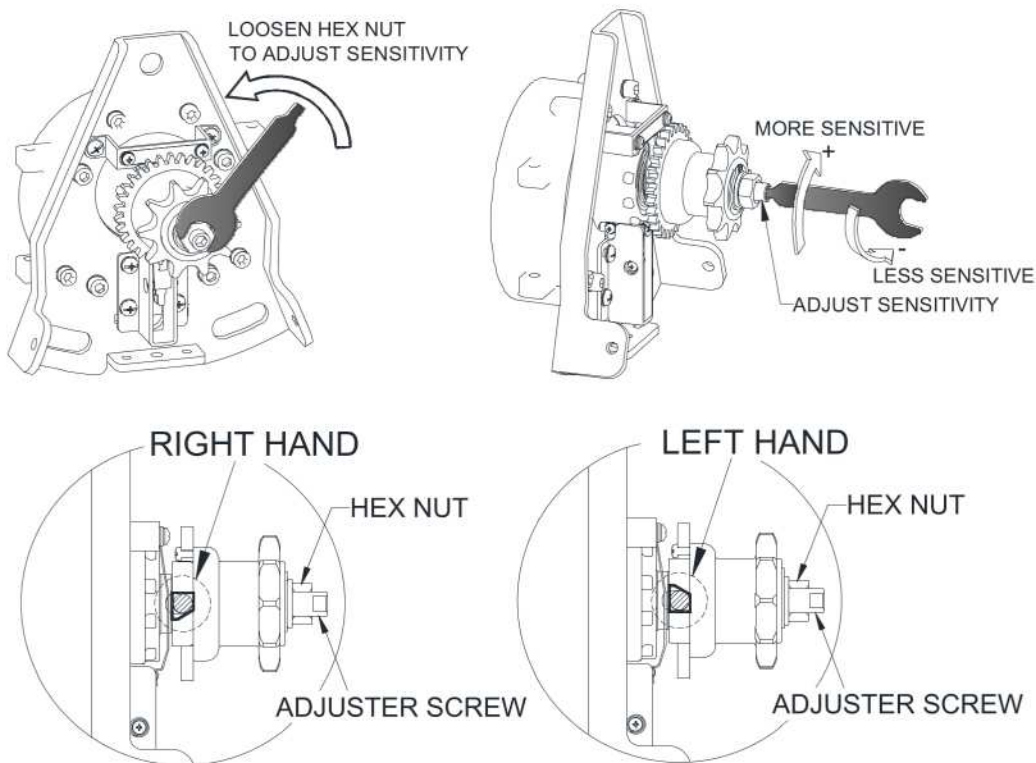
**NOTE: "C" is usually the open limit switch and "D" is usually the close limit switch.**

## INTERNAL LOCK SENSOR

**NOTE:** All units with lock sensors are adjusted to the most sensitive level at the factory. A **RED** paint seal is applied on the lock sensor hex nut and shaft. Once the seal has been broken, interlock sensitivity has been changed. Door and /or door lock may be damaged.

Use the special tool provided to adjust the sensitivity of the lock sensor:

1. Loosen the hex nut.
2. Adjust the screw at the end of the operator drive shaft for sensitivity. Adjustment range is from 0 to 6 turns. More than 6 turns of adjustment could cause damage to the sensor assembly. More sensitivity will result in less pull against the locking device but less capacity to lift the door - less sensitivity will result in more pull against the locking device but more capacity to lift the door.
3. Tighten the hex nut.



**NOTE:** 6 turns of the adjustment screw will result in the lock sensor having the least possible sensitivity, which means the greatest amount of pull against the locking device. If the door is still not functioning properly, check spring tension, overall door installation and consult the door manufacturer.

**NOTE:** The lock sensor is hand-sensitive. See illustrations for reference. Consult factory if the operator provided is not the correct hand.

## **WIRING INSTRUCTIONS**



**Disconnect power at the fuse box before proceeding with any wiring.**

### **WARNING**

1. Do not install any wiring or attempt to run this operator without checking the wiring diagram located on the inside of the control box cover.
2. Do not turn on power until you have finished making all power and control wiring connections.
3. Do not run power and control wiring in the same conduit.
4. Any wire connected to the control panel must be protected by conduit or other means to ensure the safety and permanency of the wiring.
5. Use copper wire inside the control panel.
6. A separate fuse line of adequate capacity is needed for the operator.
7. The operator must be properly grounded. The ground screw, painted green, is located inside the control panel.
8. For an operator, system, or external device requiring field installed wiring between a Class 2 output of an operator and an external device, the type of wiring shall be R/C (AVLV2/8), AWM, min. 22 AWG, rated 60°C, with VW-1/FT2.



**Failure to properly ground the operator could result in electric shock and death or serious injury.**

### **WARNING**

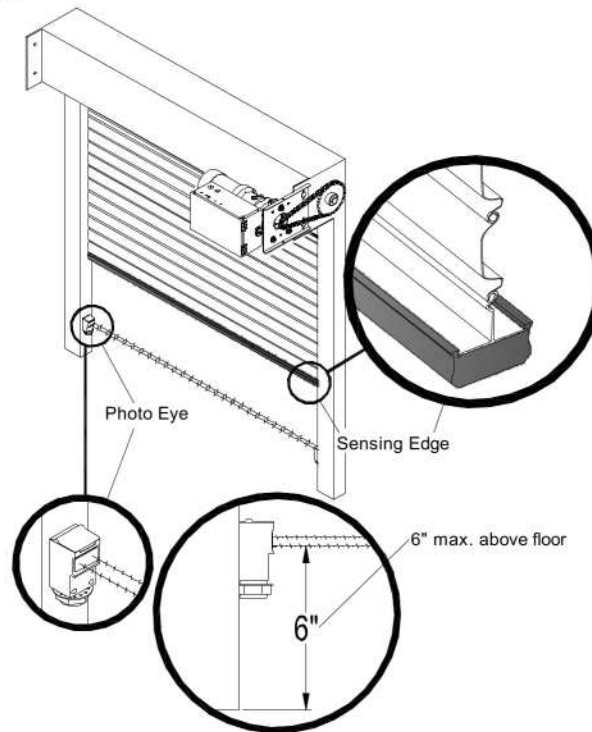
## CONTROL WIRING



### WARNING

If the door is not visible from the control station, or if any device other than a control station requiring constant pressure to close the door is used, a monitored sensing device must be installed on the door. Failure to do so could result in serious injury or death to person(s) trapped beneath the door

1. Complete limit switch adjustments before making any sensing edge/non-contact device wiring connections to the operator.



### Monitored Sensing Device Options:

Sensing Device Type	Device Manufacturer	Model
<b>ELR</b> 2-wire terminated sensing edge	ASO	25.30TTLL [A2530L-M], 15.25TTL [A1525-M], 30.70TTLa [A3070L-M], GE245, GE F45, GE F50, GE F56, GE F65, GE F85, GE F115
	Miller Edge Inc. * Must have model number with Suffix T2.	ME110*, ME111*, ME120*, ME123*, ME112*, ME113*, ME116*, ME117*
		MT21*, MU21*, MT22*, MU22*, MC22*, MU33*, MC271*, CPT223*
		MEL RB-G-K10
<b>IR</b> Emitter/receiver photo eyes and sensing edge	FRABA Inc.	Optical photo eyes and optical sensing edge, Models OPTOEYE [FOPE], OPTOEDGE; Part Nos. OSE-T, OSE-R, OSE-P, OPE. Reflective Photo Eye, Ray/RT -1004, -2004 [FRPE]
	Martec Access Products Inc.	1266
	Miller Edge Inc.	IG2, MIRM, MLC-K36, MLC-K72 RB-D-K10

Other approved devices may also be available – consult manufacturer for compatibility. [denotes Lawrence reference]

**Note:** Refer to sensing device manufacturer for specific installation and maintenance requirements.

- If more than one monitored sensing device is to be used, each device must be connected to a separate ELR/IR sensing module to provide separate monitoring functions. Consult factory for a multiple device adapter.

  
**WARNING**

**Do not install a timer to close the door unless some type of monitored entrapment protection device has been installed. Failure to do so may result in death or serious injury to person(s) trapped beneath the door.**

- If a timer to close (reclose timer) is to be used, a compatible reclose timer module is required that will not interfere with the monitoring of sensing device functions. Consult factory for the correct reclose timer module.

  
**WARNING**

**Disconnect power at the fuse box before proceeding with any wiring.**

- Locate the control station at a minimum height of 5 feet above the floor, and where the user can clearly see the operation of the door. Mount the enclosed placard adjacent to or near the door.



  
**WARNING**

**Controls shall be located far enough away from the door, or positioned such that the user is prevented from coming in contact with the door, while operating the controls.**

- Do not run control wiring in the same conduit as power wiring.
- Any wires connected to the control panel must be protected by conduit or other means to ensure the safety and permanency of the wiring.

  
**WARNING**

**Do not install radio controls (receiver/transmitter) to operate the door unless some type of monitored entrapment protection device has been installed. Failure to do so may result in death or serious injury to person(s) trapped beneath the door.**

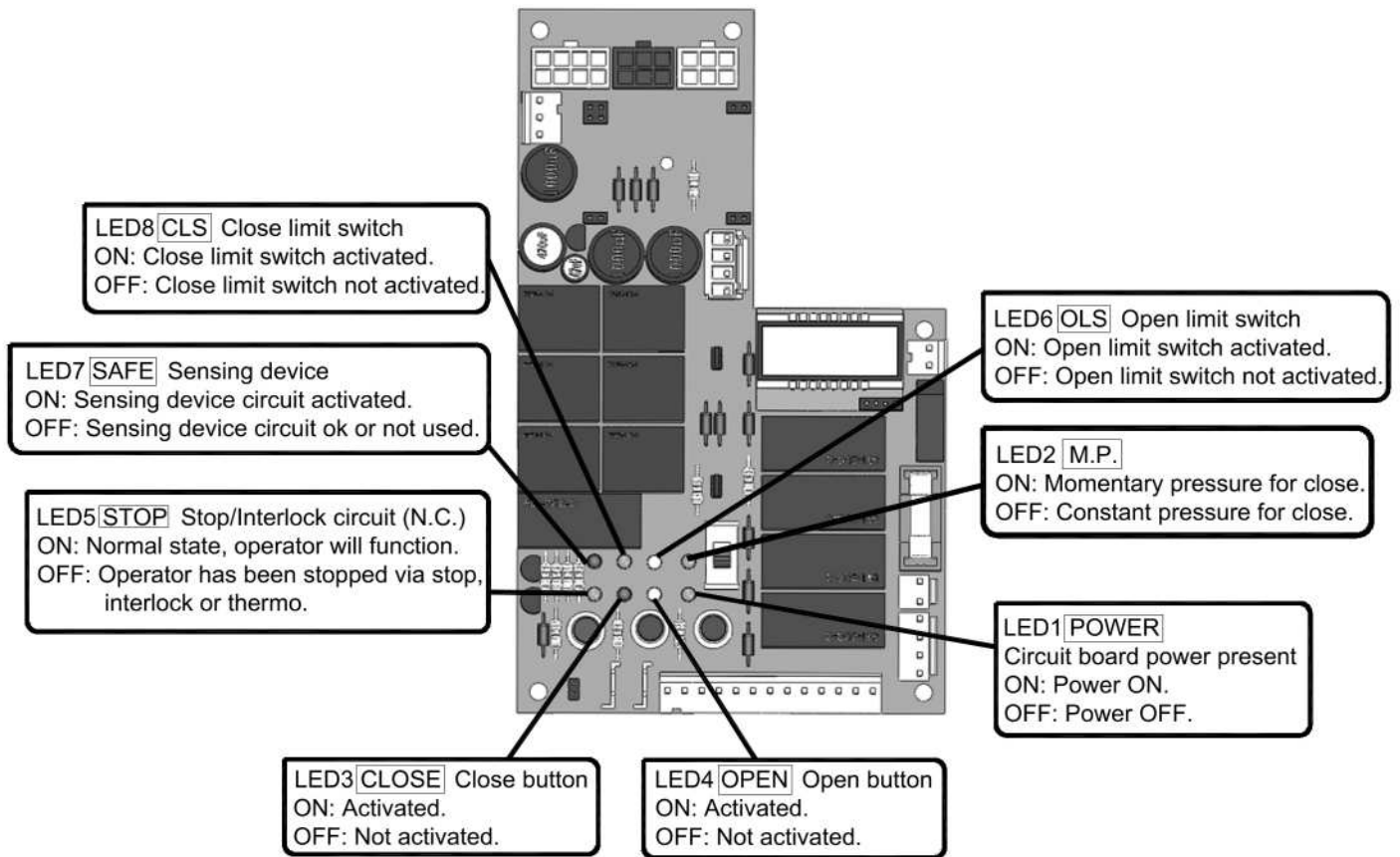
  
**WARNING**

**Changing from left hand to right hand or vice versa could result in change of control wiring. Consult factory for details.**

- After installation, be sure that the operator, controls, and sensing edge or other entrapment protection devices have been tested and function properly.

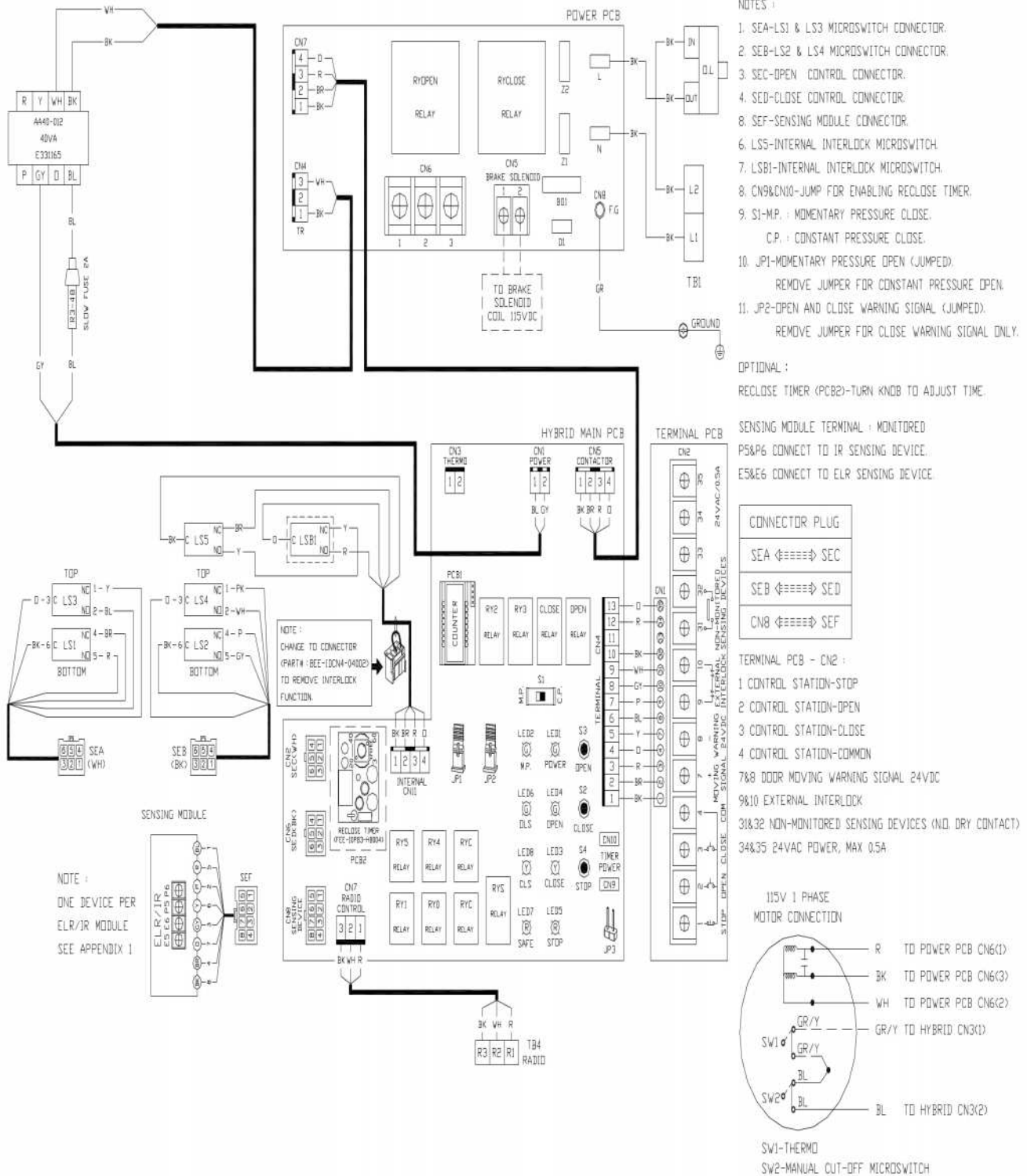


## LIGHT INDICATION



MGR L 115V 1 PHASE 50/60HZ LH (HYBRID BOARD)  
(FOR MGR L 3311E, 5011E)

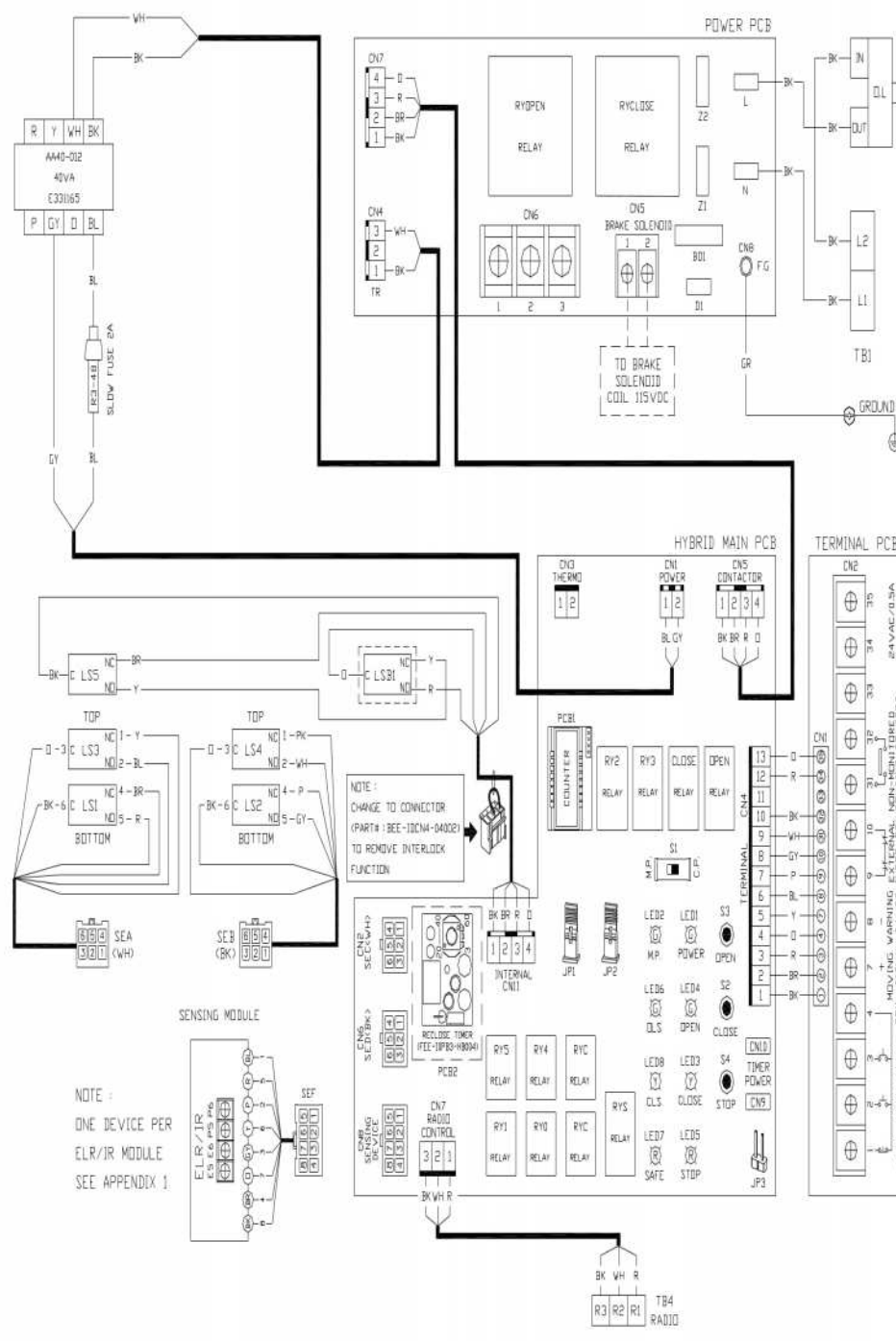
EN 108EH L  
LW-V1.29



2017.02.23

MGR1 115V 1 PHASE 50/60HZ RH (HYBRID BOARD)  
(FOR MGR1 3311E, 5011E)

EN 108EH R  
LW-V1.29



- NOTES :
- SEA-LS1 & LS3 MICROSWITCH CONNECTOR.
  - SEB-LS2 & LS4 MICROSWITCH CONNECTOR.
  - SEC-OPEN CONTROL CONNECTOR.
  - SED-CLOSE CONTROL CONNECTOR.
  - SEF-SENSING MODULE CONNECTOR.
  - LS5-INTERNAL INTERLOCK MICROSWITCH.
  - LSB1-INTERNAL INTERLOCK MICROSWITCH.
  - CN8&CN10-JUMP FOR ENABLING RECLOSE TIMER.
  - S1-M.P. : MOMENTARY PRESSURE CLOSE.  
C.P. : CONSTANT PRESSURE CLOSE.
  - JP1-MOMENTARY PRESSURE OPEN (JUMPED).  
REMOVE JUMPER FOR CONSTANT PRESSURE OPEN.
  - JP2-OPEN AND CLOSE WARNING SIGNAL (JUMPED).  
REMOVE JUMPER FOR CLOSE WARNING SIGNAL ONLY.

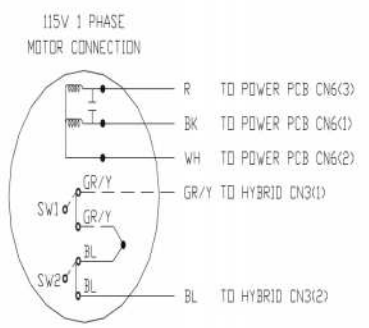
OPTIONAL :

RECLOSE TIMER (PCB2)-TURN KNOB TO ADJUST TIME.

SENSING MODULE TERMINAL : MONITORED  
P5&P6 CONNECT TO IR SENSING DEVICE.  
E5&E6 CONNECT TO ELR SENSING DEVICE.

CONNECTOR PLUG	
SEA	SEB
SEC	SED
SEF	

- TERMINAL PCB - CN2 :
- CONTROL STATION-STOP
  - CONTROL STATION-OPEN
  - CONTROL STATION-CLOSE
  - CONTROL STATION-COMMON
  - 7&8 DOOR MOVING WARNING SIGNAL 24VDC
  - 9&10 EXTERNAL INTERLOCK
  - 31&32 NON-MONITORED SENSING DEVICES (NO DRY CONTACT)
  - 34&35 24VAC POWER, MAX 0.5A



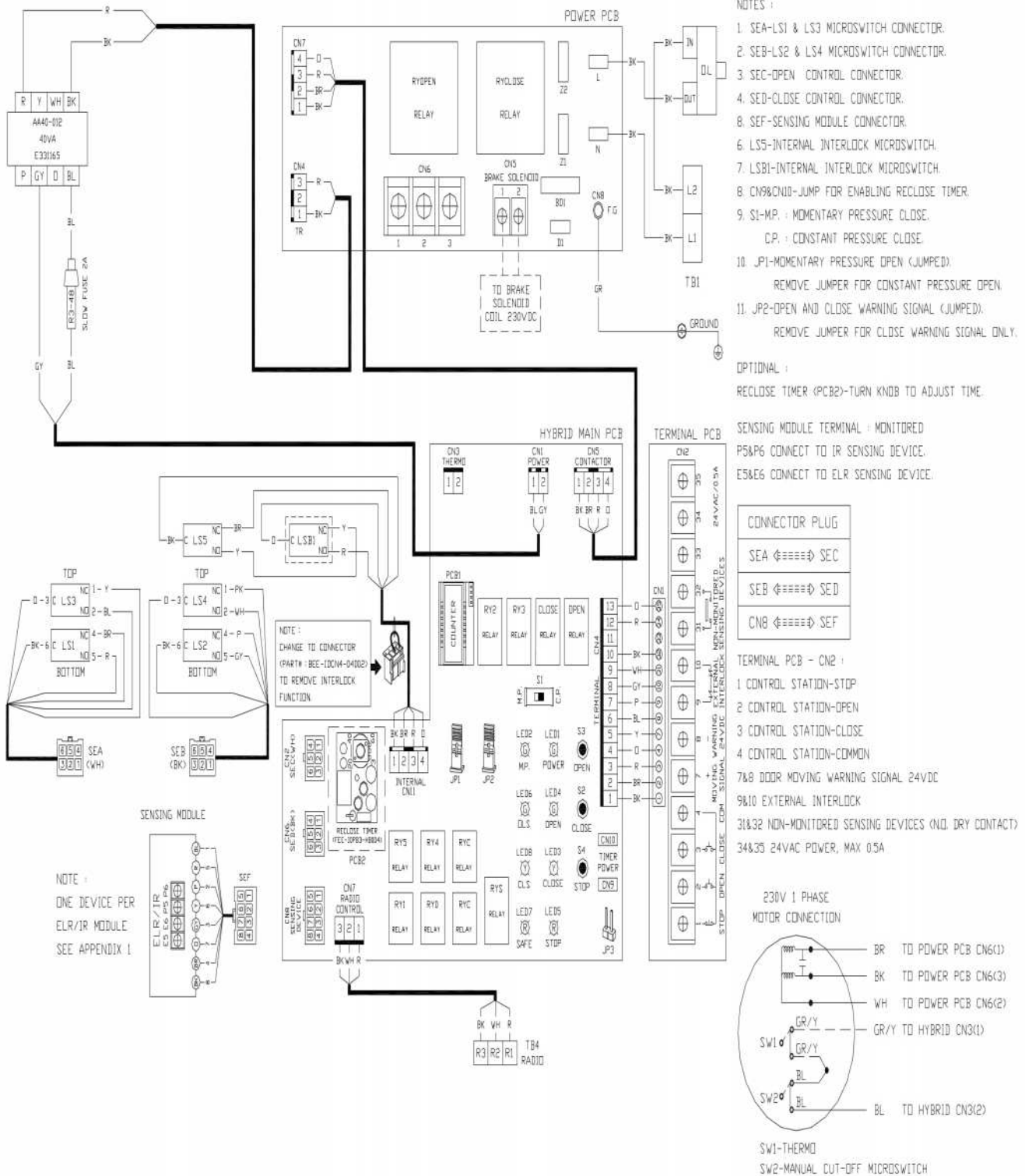
SW1-THERMO  
SW2-MANUAL CUT-OFF MICROSWITCH

2017.02.23

MGR L 230V 1 PHASE 50/60HZ LH (HYBRID BOARD)

(FOR MGR L 3321E, 5021E)

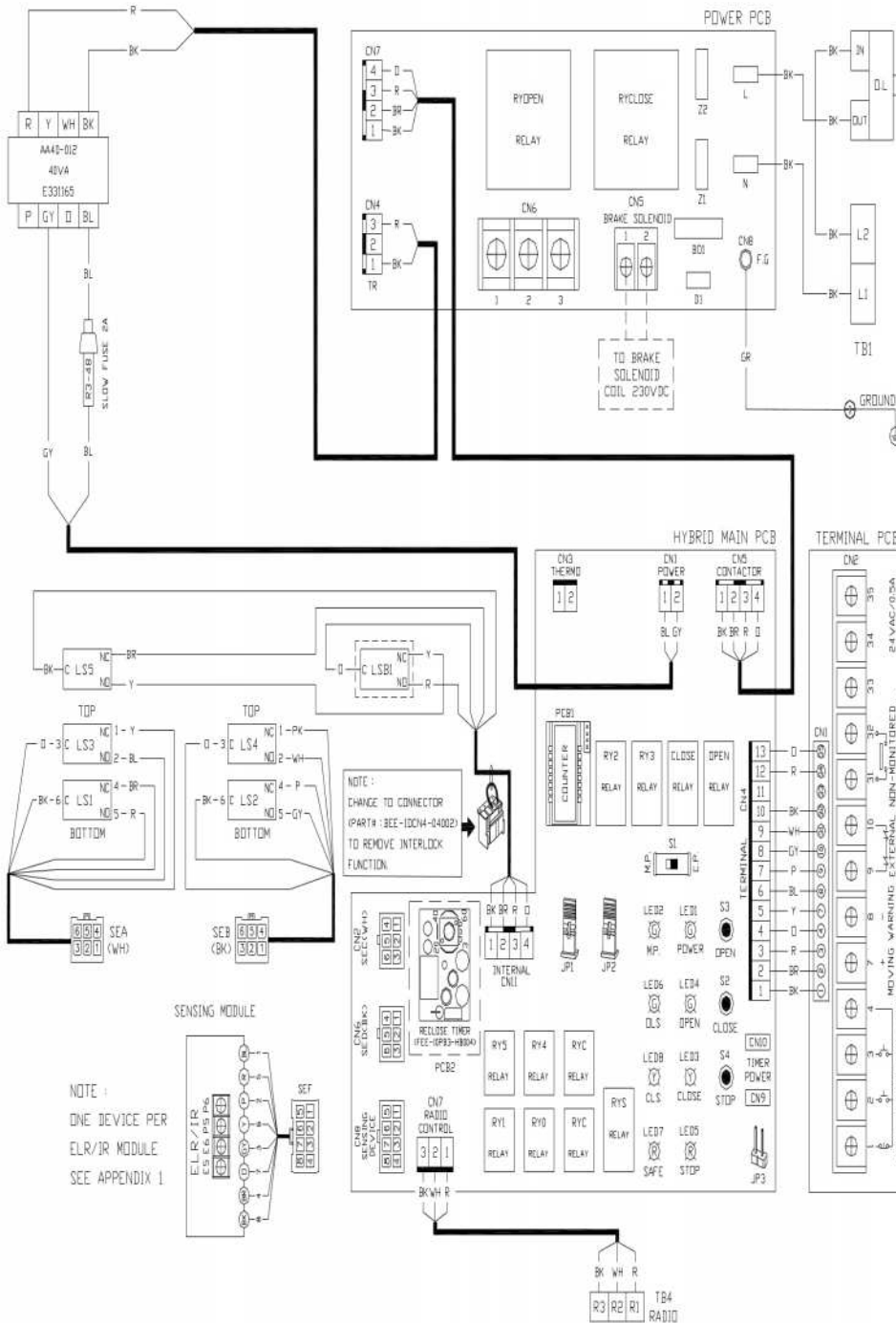
EN 208EH L  
LW-V1.29



2017.02.23

MGR L 230V 1 PHASE 50/60HZ RH (HYBRID BOARD)  
(FOR MGR L 3321E, 5021E)

EN 208EH R  
LW-V1.29

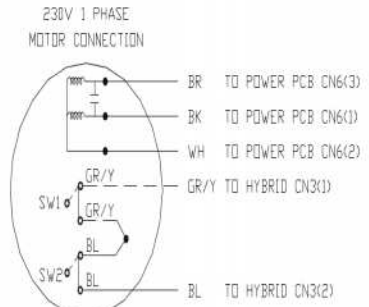


- NOTES :
- SEA-LS1 & LS3 MICROSWITCH CONNECTOR.
  - SEB-LS2 & LS4 MICROSWITCH CONNECTOR.
  - SEC-OPEN CONTROL CONNECTOR.
  - SED-CLOSE CONTROL CONNECTOR.
  - SEF-SENSING MODULE CONNECTOR.
  - LS5-INTERNAL INTERLOCK MICROSWITCH.
  - LSB1-INTERNAL INTERLOCK MICROSWITCH.
  - CN9&CN10-JUMP FOR ENABLING RECLOSE TIMER.
  - S1-M.P. : MOMENTARY PRESSURE CLOSE.  
C.P. : CONSTANT PRESSURE CLOSE.
  - JP1-MOMENTARY PRESSURE OPEN (JUMPED).  
REMOVE JUMPER FOR CONSTANT PRESSURE OPEN.
  - JP2-OPEN AND CLOSE WARNING SIGNAL (JUMPED).  
REMOVE JUMPER FOR CLOSE WARNING SIGNAL ONLY.

- OPTIONAL :
- RECLOSE TIMER (PCB2)-TURN KNOB TO ADJUST TIME.
  - SENSING MODULE TERMINAL : MONITORED
  - P5&P6 CONNECT TO IR SENSING DEVICE.
  - E5&E6 CONNECT TO ELR SENSING DEVICE.

CONNECTOR PLUG	
SEA	SEF
SEB	SEC
CN8	SEF

- TERMINAL PCB - CN2 :
- CONTROL STATION-STOP
  - CONTROL STATION-OPEN
  - CONTROL STATION-CLOSE
  - CONTROL STATION-COMMON
  - 7&8 DOOR MOVING WARNING SIGNAL 24VDC
  - 9&10 EXTERNAL INTERLOCK
  - 31&32 NON-MONITORED SENSING DEVICES (NO. DRY CONTACT)
  - 34&35 24VAC POWER, MAX 0.5A



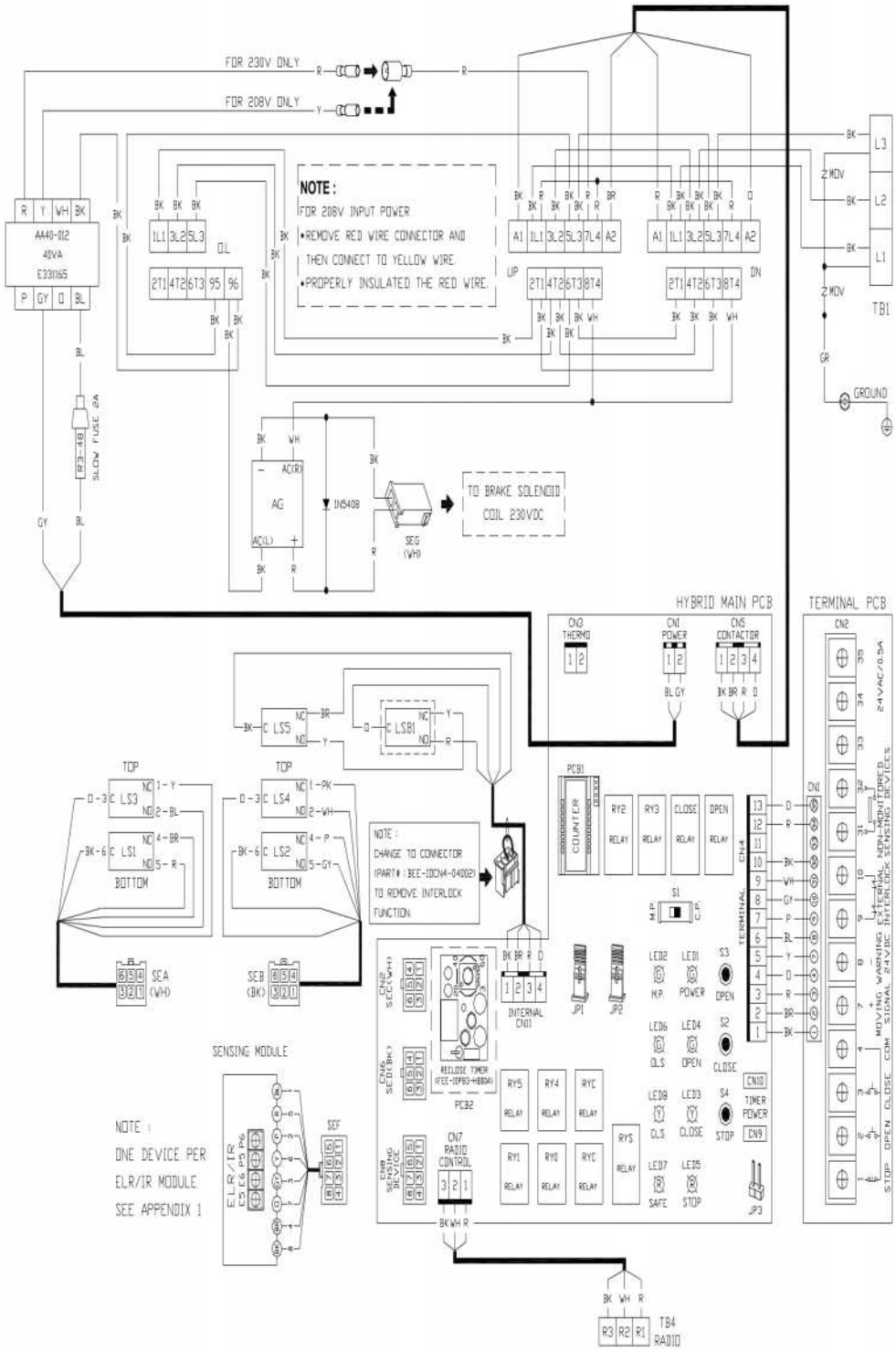
SW1-THERMO  
SW2-MANUAL CUT-OFF MICROSWITCH

NOTE :  
ONE DEVICE PER  
ELR/IR  
MODULE  
SEE APPENDIX 1

2017.02.23

MGR L 208V/230V 3 PHASE 50/60HZ LH (HYBRID BOARD)  
 (FOR MGR L 3323E, 5023E)

EN 308EH L  
 LW-V1.29-CON



NOTES :

1. MOV-TNR 14V 471K.
2. SEA-LS1 & LS3 MICROSWITCH CONNECTOR.
3. SEB-LS2 & LS4 MICROSWITCH CONNECTOR.
4. SEC-OPEN CONTROL CONNECTOR.
5. SED-CLOSE CONTROL CONNECTOR.
6. SEF-SENSING MODULE CONNECTOR.
7. LSS-INTERNAL INTERLOCK MICROSWITCH.
8. LSB1-INTERNAL INTERLOCK MICROSWITCH.
9. CN9&CN10-JUMP FOR ENABLING RECLOSE TIMER.
10. S1-M.P. : MOMENTARY PRESSURE CLOSE.  
C.P. : CONSTANT PRESSURE CLOSE.
11. JPI-MOMENTARY PRESSURE OPEN (JUMPED).  
REMOVE JUMPER FOR CONSTANT PRESSURE OPEN.
12. JP2-OPEN AND CLOSE WARNING SIGNAL (JUMPED).  
REMOVE JUMPER FOR CLOSE WARNING SIGNAL ONLY.

OPTIONAL :

RECLOSE TIMER (PCB2)-TURN KNOB TO ADJUST TIME.

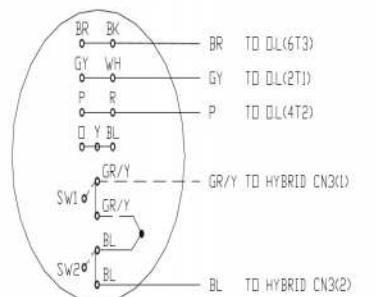
SENSING MODULE TERMINAL : MONITORED  
 P5&P6 CONNECT TO IR SENSING DEVICE.  
 E5&E6 CONNECT TO ELR SENSING DEVICE.

CONNECTOR PLUG	
SEA	SEB
SEB	SED
CNB	SEF

TERMINAL PCB - CN2 :

- 1 CONTROL STATION-STOP
- 2 CONTROL STATION-OPEN
- 3 CONTROL STATION-CLOSE
- 4 CONTROL STATION-COMMON
- 7&8 DOOR MOVING WARNING SIGNAL 24VDC
- 9&10 EXTERNAL INTERLOCK
- 31&32 NON-MONITORED SENSING DEVICES (N.O. DRY CONTACT)
- 34&35 24VAC POWER, MAX 0.5A

208V/230V 3 PHASE MOTOR CONNECTION



NOTE :  
 ONE DEVICE PER  
 ELR/IR MODULE  
 SEE APPENDIX 1

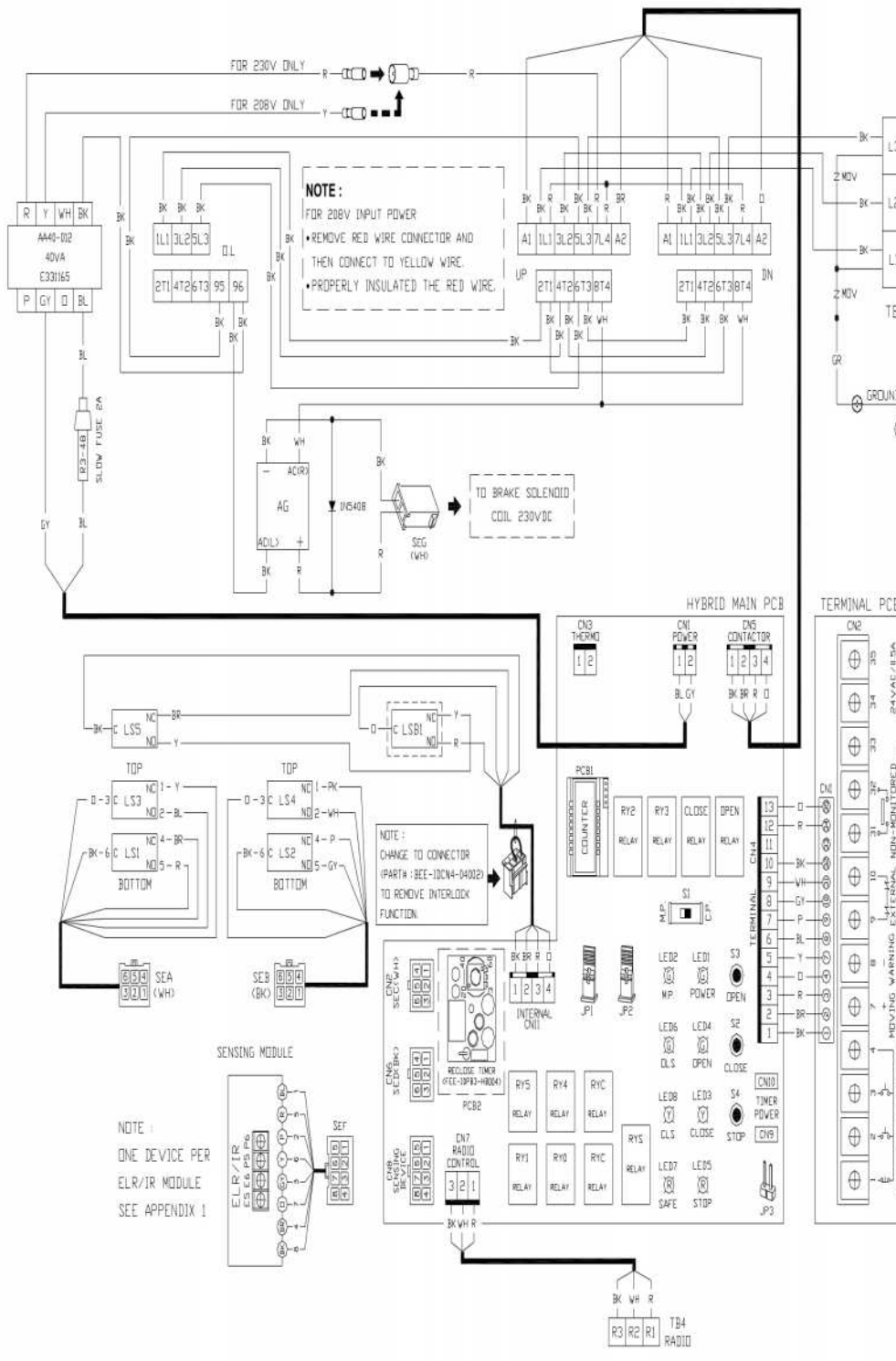
SW1-THERMO  
 SW2-MANUAL CUT-OFF MICROSWITCH

2017.02.23



MGR L 208V/230V 3 PHASE 50/60HZ RH (HYBRID BOARD)  
 (FOR MGR L 3323E, 5023E)

EN 308EH R  
 LW-V1.29-CON

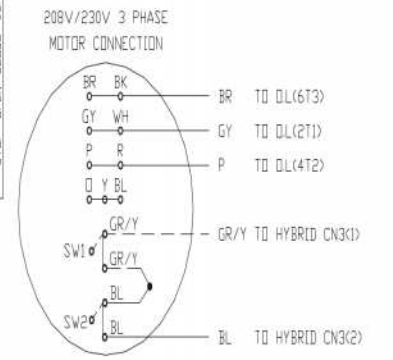
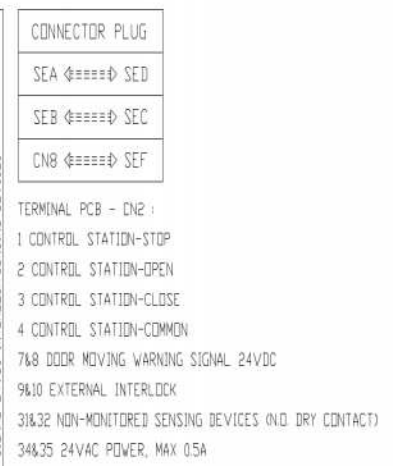


- NOTES :
1. MOV-TNR 14V 47K.
  2. SEA-LS1 & LS3 MICROSWITCH CONNECTOR.
  3. SEB-LS2 & LS4 MICROSWITCH CONNECTOR.
  4. SEC-OPEN CONTROL CONNECTOR.
  5. SED-CLOSE CONTROL CONNECTOR.
  6. SEF-SENSING MODULE CONNECTOR.
  7. LSS-INTERNAL INTERLOCK MICROSWITCH.
  8. LSBI-INTERNAL INTERLOCK MICROSWITCH.
  9. CN9&CN10-JUMP FOR ENABLING RECLOSE TIMER.
  10. SI-M.P. : MOMENTARY PRESSURE CLOSE.  
 C.P. : CONSTANT PRESSURE CLOSE.
  11. JP1-MOMENTARY PRESSURE OPEN (JUMPED).  
 REMOVE JUMPER FOR CONSTANT PRESSURE OPEN.
  12. JP2-OPEN AND CLOSE WARNING SIGNAL (JUMPED).  
 REMOVE JUMPER FOR CLOSE WARNING SIGNAL ONLY.

OPTIONAL :

RECLOSE TIMER (PCB2)-TURN KNOB TO ADJUST TIME.

SENSING MODULE TERMINAL : MONITORED  
 P5&P6 CONNECT TO IR SENSING DEVICE.  
 E5&E6 CONNECT TO ELR SENSING DEVICE.



SW1-THERMO  
 SW2-MANUAL CUT-OFF MICROSWITCH

2017.02.23

MGR L 460V 3 PHASE 50/60HZ LH (HYBRID BOARD)  
(FOR MGR L 3343E, 5043E)

EN 408EH L  
LW-V1.29

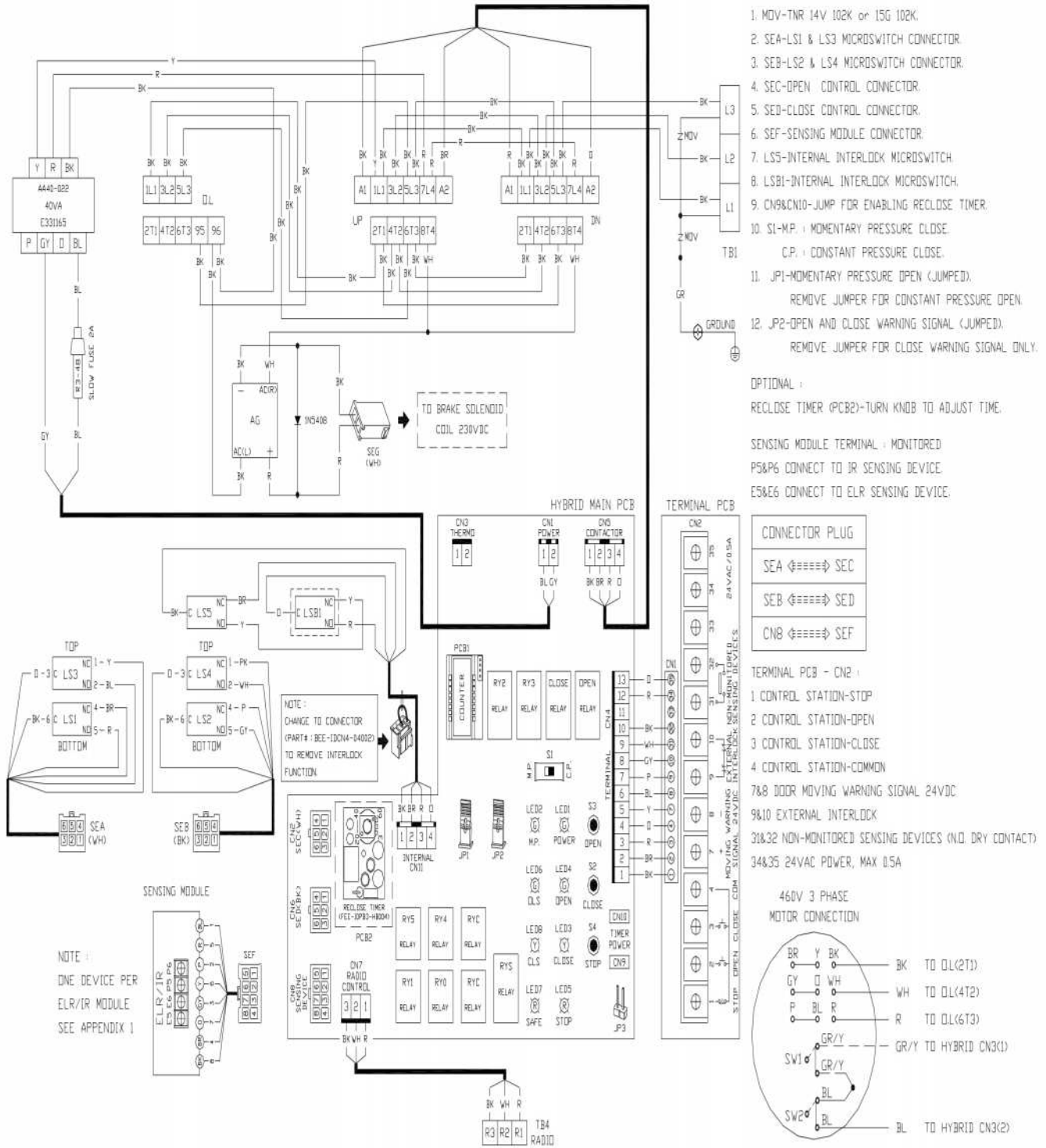
NOTES :

1. MDV-TNR 14V 102K or 15G 102K;
2. SEA-LS1 & LS3 MICROSWITCH CONNECTOR;
3. SEB-LS2 & LS4 MICROSWITCH CONNECTOR;
4. SEC-OPEN CONTROL CONNECTOR;
5. SED-CLOSE CONTROL CONNECTOR;
6. SEF-SENSING MODULE CONNECTOR;
7. LS3-INTERNAL INTERLOCK MICROSWITCH;
8. LS3I-INTERNAL INTERLOCK MICROSWITCH;
9. CN9&CN10-JUMP FOR ENABLING RECLOSE TIMER;
10. SI-M.P. : MOMENTARY PRESSURE CLOSE.  
C.P. : CONSTANT PRESSURE CLOSE;
11. JP1-MOMENTARY PRESSURE OPEN (JUMPED).  
REMOVE JUMPER FOR CONSTANT PRESSURE OPEN;
12. JP2-OPEN AND CLOSE WARNING SIGNAL (JUMPED).  
REMOVE JUMPER FOR CLOSE WARNING SIGNAL ONLY.

OPTIONAL :

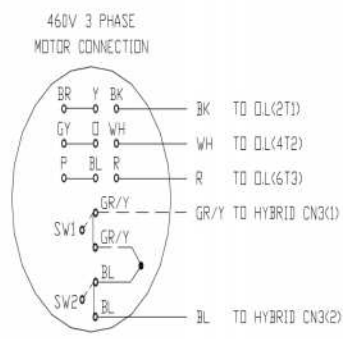
RECLOSE TIMER (PCB2)-TURN KNOB TO ADJUST TIME.

SENSING MODULE TERMINAL : MONITORED  
P5&P6 CONNECT TO IR SENSING DEVICE.  
E5&E6 CONNECT TO ELR SENSING DEVICE.



CONNECTOR PLUG	
SEA	SEB
SEC	SED
SEF	

- TERMINAL PCB - CN2 :
1. CONTROL STATION-STOP
  2. CONTROL STATION-OPEN
  3. CONTROL STATION-CLOSE
  4. CONTROL STATION-COMMON
- 7&8 DOOR MOVING WARNING SIGNAL 24VDC  
9&10 EXTERNAL INTERLOCK  
31&32 NON-MONITORED SENSING DEVICES (N.O. DRY CONTACT)  
34&35 24VAC POWER, MAX 0.5A



SW1-THERMO  
SW2-MANUAL CUT-OFF MICROSWITCH

2017.02.23

MGR 460V 3 PHASE 50/60HZ RH (HYBRID BOARD)  
(FOR MGR 3343E, 5043E)

EN 408EH R  
LW-V1.29

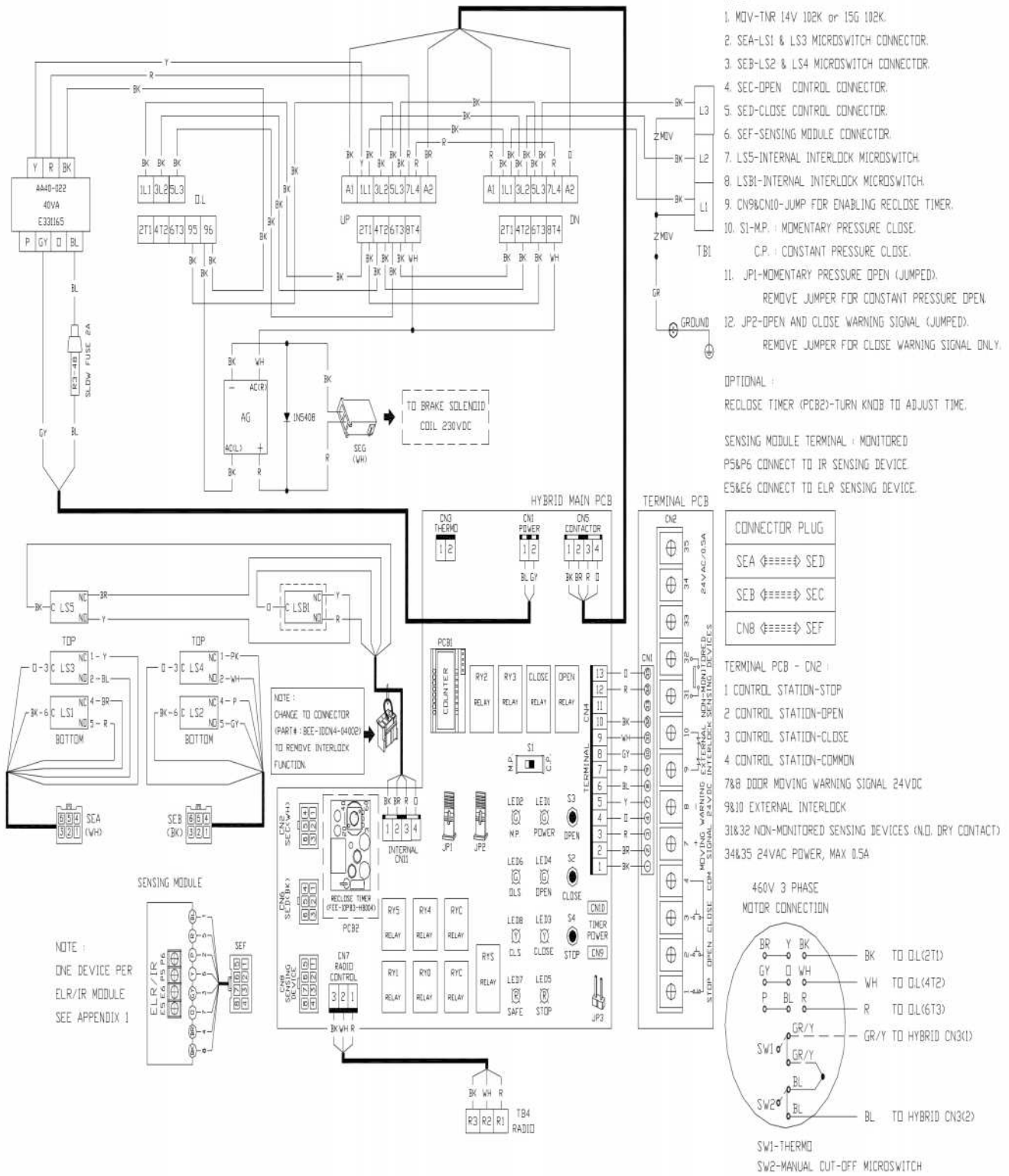
NOTES :

1. MOV-TNR 14V 102K or 15G 102K.
2. SEA-LS1 & LS3 MICROSWITCH CONNECTOR.
3. SEB-LS2 & LS4 MICROSWITCH CONNECTOR.
4. SEC-OPEN CONTROL CONNECTOR.
5. SEC-CLOSE CONTROL CONNECTOR.
6. SEF-SENSING MODULE CONNECTOR.
7. LS5-INTERNAL INTERLOCK MICROSWITCH.
8. LS6-INTERNAL INTERLOCK MICROSWITCH.
9. CN9&CN10-JUMP FOR ENABLING RECLOSE TIMER.
10. S1-M.P. : MOMENTARY PRESSURE CLOSE.  
C.P. : CONSTANT PRESSURE CLOSE.
11. JP1-MOMENTARY PRESSURE OPEN (JUMPED).  
REMOVE JUMPER FOR CONSTANT PRESSURE OPEN.
12. JP2-OPEN AND CLOSE WARNING SIGNAL (JUMPED).  
REMOVE JUMPER FOR CLOSE WARNING SIGNAL ONLY.

OPTIONAL :

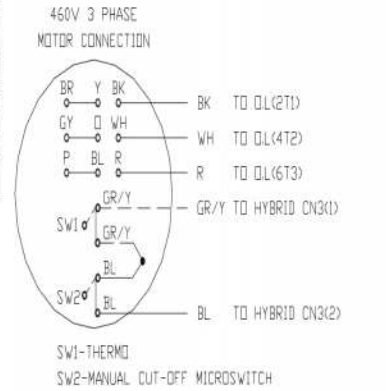
RECLOSE TIMER (PCB2)-TURN KNOB TO ADJUST TIME.

SENSING MODULE TERMINAL : MONITORED  
P5&P6 CONNECT TO IR SENSING DEVICE.  
E5&E6 CONNECT TO ELR SENSING DEVICE.



CONNECTOR PLUG	
SEA ◀=====▶ SED	
SEB ◀=====▶ SEC	
CNB ◀=====▶ SEF	

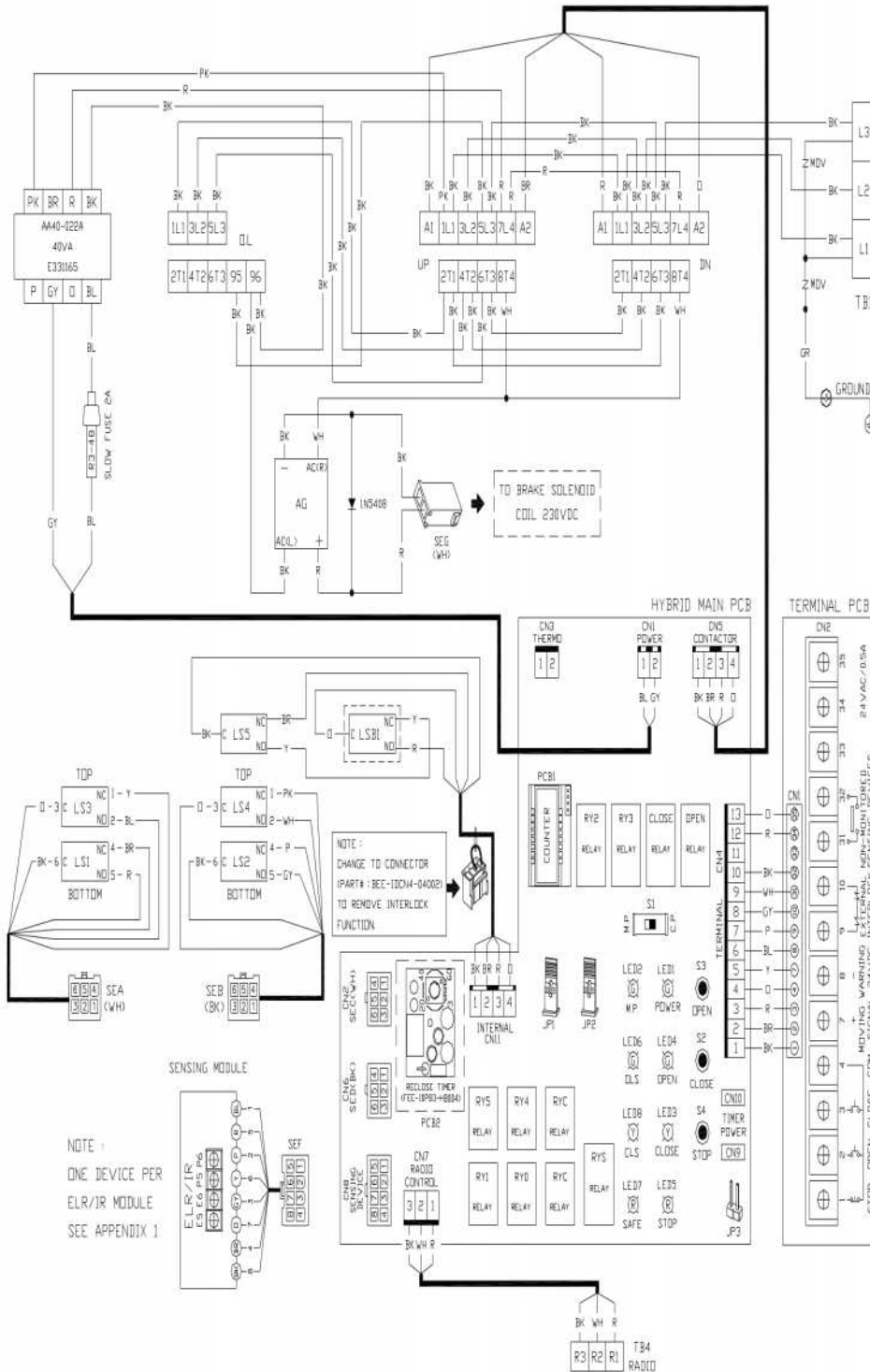
- TERMINAL PCB - CN2 :
- 1 CONTROL STATION-STOP
  - 2 CONTROL STATION-OPEN
  - 3 CONTROL STATION-CLOSE
  - 4 CONTROL STATION-COMMON
  - 7&8 DOOR MOVING WARNING SIGNAL 24VDC
  - 9&10 EXTERNAL INTERLOCK
  - 31&32 NON-MONITORED SENSING DEVICES (N.O. DRY CONTACT)
  - 34&35 24VAC POWER, MAX 0.5A



2017.02.23

MGR L 575V 3 PHASE 60HZ LH (HYBRID BOARD)  
(FOR MGR L 3353E, 5053E)

EN 608EH L  
LW-V1.29



NOTES :

1. MOV-TNR 14V 122K or 15G 122K.
2. SEA-LS1 & LS3 MICROSWITCH CONNECTOR.
3. SEB-LS2 & LS4 MICROSWITCH CONNECTOR.
4. SEC-OPEN CONTROL CONNECTOR.
5. SED-CLOSE CONTROL CONNECTOR.
6. SEF-SENSING MODULE CONNECTOR.
7. LSS-INTERNAL INTERLOCK MICROSWITCH.
8. LSB1-INTERNAL INTERLOCK MICROSWITCH.
9. CN9&CN10-JUMP FOR ENABLING RECLOSE TIMER.  
C.P. : CONSTANT PRESSURE CLOSE.
10. S1-M.P. : MOMENTARY PRESSURE CLOSE.  
C.P. : CONSTANT PRESSURE CLOSE.
11. JPI-MOMENTARY PRESSURE OPEN (JUMPED).  
REMOVE JUMPER FOR CONSTANT PRESSURE OPEN.
12. JP2-OPEN AND CLOSE WARNING SIGNAL (JUMPED).  
REMOVE JUMPER FOR CLOSE WARNING SIGNAL ONLY.

OPTIONAL :

RECLOSE TIMER (PCB2)-TURN KNOB TO ADJUST TIME.

SENSING MODULE TERMINAL : MONITORED

P5&P6 CONNECT TO IR SENSING DEVICE.

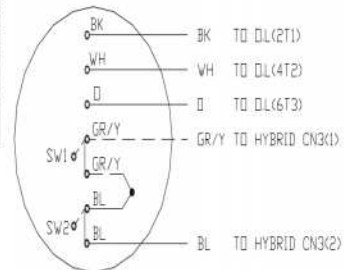
E5&E6 CONNECT TO ELR SENSING DEVICE.

CONNECTOR PLUG	
SEA	SEB
SEB	SED
CN8	SEF

TERMINAL PCB - CN2 :

- 1 CONTROL STATION-STOP
- 2 CONTROL STATION-OPEN
- 3 CONTROL STATION-CLOSE
- 4 CONTROL STATION-COMMON
- 7&8 DOOR MOVING WARNING SIGNAL 24VDC
- 9&10 EXTERNAL INTERLOCK
- 31&32 NON-MONITORED SENSING DEVICES (N.D, DRY CONTACT)
- 34&35 24VAC POWER, MAX 0.5A

575V 3 PHASE  
MOTOR CONNECTION



SW1-THERMO  
SW2-MANUAL CUT-OFF MICROSWITCH

2017.02.23

MGR L 575V 3 PHASE 60HZ RH (HYBRID BOARD)  
(FOR MGR L 3353E, 5053E)

EN 608EH R  
LW-V1.29

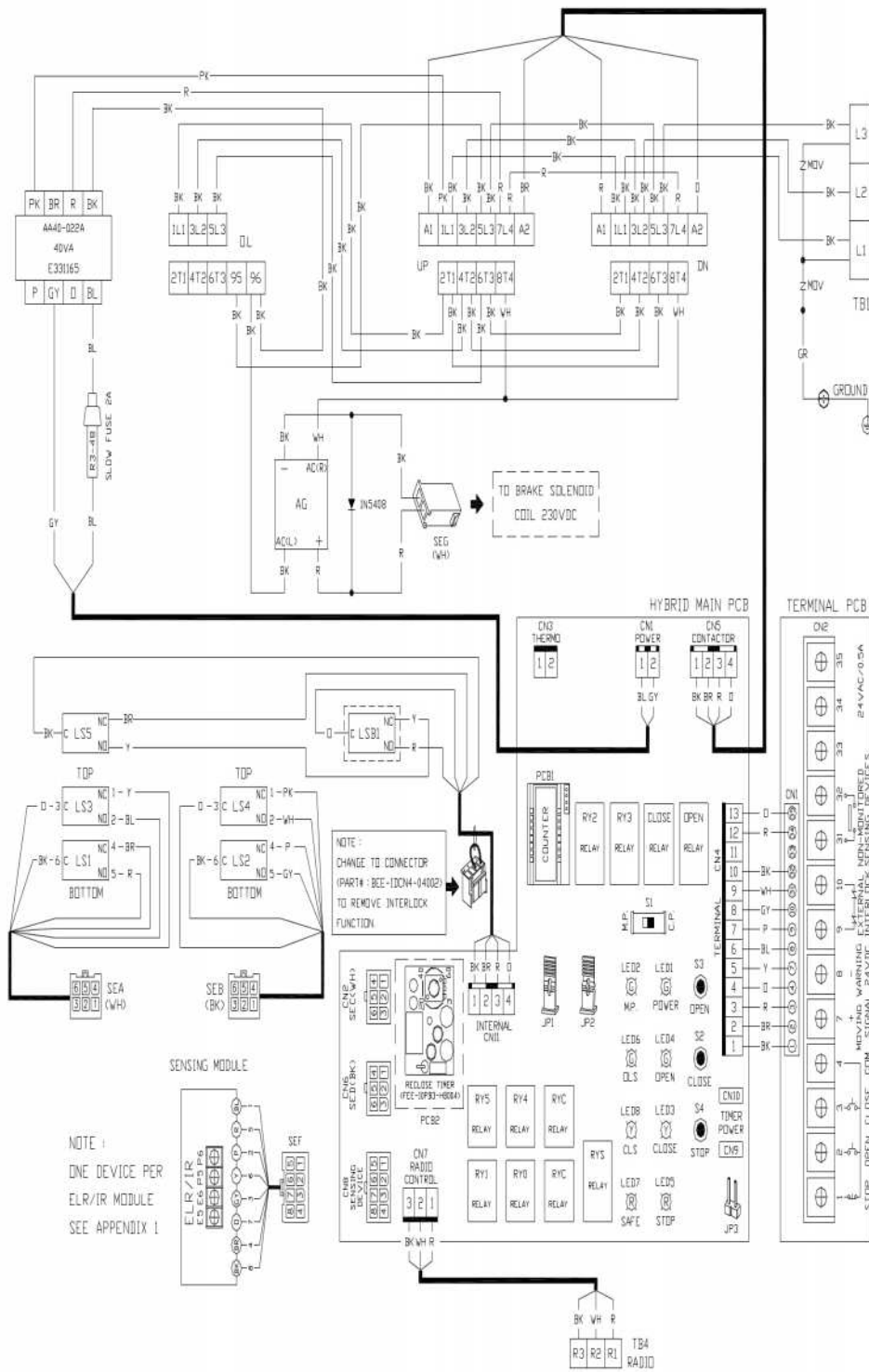
NOTES :

1. MOV-TNR 14V 122K or 15G 122K.
2. SEA-LS1 & LS3 MICROSWITCH CONNECTOR.
3. SEB-LS2 & LS4 MICROSWITCH CONNECTOR.
4. SEC-OPEN CONTROL CONNECTOR.
5. SEC-CLOSE CONTROL CONNECTOR.
6. SEF-SENSING MODULE CONNECTOR.
7. LSS-INTERNAL INTERLOCK MICROSWITCH.
8. LSB1-INTERNAL INTERLOCK MICROSWITCH.
9. CN9&CN10-JUMP FOR ENABLING RECLOSE TIMER.
10. S1-M.P. : MOMENTARY PRESSURE CLOSE.  
C.P. : CONSTANT PRESSURE CLOSE.
11. JP1-MOMENTARY PRESSURE OPEN (JUMPED).  
REMOVE JUMPER FOR CONSTANT PRESSURE OPEN.
12. JP2-OPEN AND CLOSE WARNING SIGNAL (JUMPED).  
REMOVE JUMPER FOR CLOSE WARNING SIGNAL ONLY.

OPTIONAL :

RECLOSE TIMER (PCB2)-TURN KNOB TO ADJUST TIME.

SENSING MODULE TERMINAL : MONITORED  
P5&P6 CONNECT TO IR SENSING DEVICE.  
E5&E6 CONNECT TO ELR SENSING DEVICE.

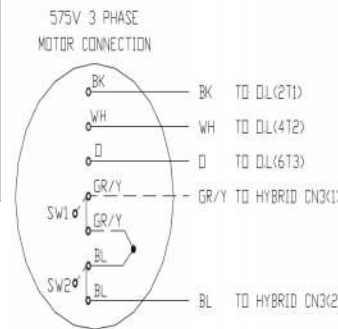


CONNECTOR PLUG	
SEA <=====> SED	
SEB <=====> SEC	
CN8 <=====> SEF	

TERMINAL PCB - CN2 :

- 1 CONTROL STATION-STOP
- 2 CONTROL STATION-OPEN
- 3 CONTROL STATION-CLOSE
- 4 CONTROL STATION-COMMON

7&8 00DR MOVING WARNING SIGNAL 24VDC  
9&10 EXTERNAL INTERLOCK  
31&32 NON-MONITORED SENSING DEVICES (N.O. DRY CONTACT)  
34&35 24VAC POWER, MAX 0.5A



SW1-THERMO  
SW2-MANUAL CUT-OFF MICROSWITCH

NOTE :  
ONE DEVICE PER  
ELR/IR MODULE  
SEE APPENDIX I

2017.02.23

## Reference

### MG series terminal connections

1	2	3	4	7	8	9	10	31	32	33	34	35
Control Station				+	-	External Interlock		Non Monitored Sensing Devices (N.O. Dry Contact)			24VAC, 0.5A max.	
Stop	Open	Close	Com	Door moving warning signal 24VDC		Jump when no external interlock is connected.						

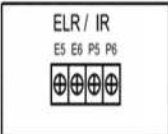
- ❖ A one-second delay on reverse is standard.
- ❖ When the door is closing, pushing the “Open” or “Stop” button will stop the door from moving.
- ❖ When the door is closing, the radio control transmitter can stop and reverse the door at anytime.

### \* Jump Pin Connections (Hybrid Main Board)

JP1	Factory Default: Momentary pressure open (Jumped). Remove jumper for constant pressure open.
JP2	Factory Default: Open and close warning signal (Jumped). Remove jumper for close warning signal only.

### Monitored Sensing Device connections

(Only 1 monitored device can be connected to a single sensing module)

	E5 & E6 – Connect 2-wire terminated sensing edge (ELR device)
	P5 & P6 – Connect emitter/receiver photo eye or optical sensing edge (IR device)

### Control and Accessory connections

Refer to appendix illustrations for connection of:

- ❖ Multiple device adapter for secondary monitored sensing device
- ❖ Reclose timer module
- ❖ Single and multiple control stations
- ❖ External timer defeat switch
- ❖ Wiring change from 230V to 208V 3 phase operator



## **IMPORTANT SAFETY INSTRUCTIONS**

### **WARNING –To reduce the risk of death or serious injury:**

1. READ AND FOLLOW ALL INSTRUCTIONS.
2. Never let children operate or play with door controls. Keep the remote control (when provided) away from children.
3. Personnel should keep away from a door in motion and keep the moving door in sight until it is completely closed or opened. **NO ONE SHOULD CROSS THE PATH OF A MOVING DOOR.**
4. Test sensing devices at least once a month. Also test sensing devices after making any adjustments to the close limit. Failure to adjust the operator properly may cause death or serious injury.
5. For operators having an auxiliary release, use caution when using the release if the door is open. Weak or broken springs may cause the door to fall rapidly, causing death or serious injury.
6. KEEP DOORS PROPERLY OPERATING AND BALANCED. See door manufacturer's Operation and Maintenance Instructions. An improperly operating or unbalanced door could cause death or serious injury. Have trained door systems technicians make all necessary adjustments and repairs.
7. **SAVE THESE INSTRUCTIONS.**

## **OPERATING INSTRUCTIONS**

1. If a 3-button control station is used to operate the door, push the “OPEN” button to open the door, push the “CLOSE” button to close the door, push the “STOP” button to stop movement of the door while opening or closing. With constant pressure close operation, removing pressure from the “CLOSE” button will also cause the door to stop.
2. If a key switch control station is used to operate the door, turn the key to the “OPEN” position to open the door, turn the key to the “CLOSE” position to close the door, push the “STOP” button to stop movement of the door while opening or closing. With constant pressure close operation, removing pressure from the “CLOSE” key position will cause the door to stop.
3. Door may also be operated by remote devices.

**IMPORTANT NOTE:** If one or more monitored sensing devices are installed, and determined by the operator to be not functioning properly, the door will either stay open, or re-open if closing. If this occurs, contact a trained door systems technician to make repairs. Until repairs can be made, the door can be opened and closed from the 3-button or key switch control station, but will require constant pressure on the close control to close the door.

## **EMERGENCY MANUAL OPERATION**

This operator has provisions for manually operating the door in case of emergency or power failure.

### **AUXILIARY RELEASE**

Pull the cable to release the brake; then carefully push the door open or pull it closed.



#### **WARNING**

Turn off power to the operator before manually operating the door.



#### **WARNING**

Use caution when pulling the release cable if the door is open. Weak or broken springs may cause the door to fall rapidly, causing death or serious injury.

## OPTIONAL AUXILIARY CHAIN HOIST

To operate the auxiliary chain hoist:

1. Remove the hand chain from the chain bag.
  2. Pull the hand chain to operate the door in the desired direction. (No clutch to engage)
- Put the hand chain back into the chain bag, before operating the door again electrically.



### **WARNING**

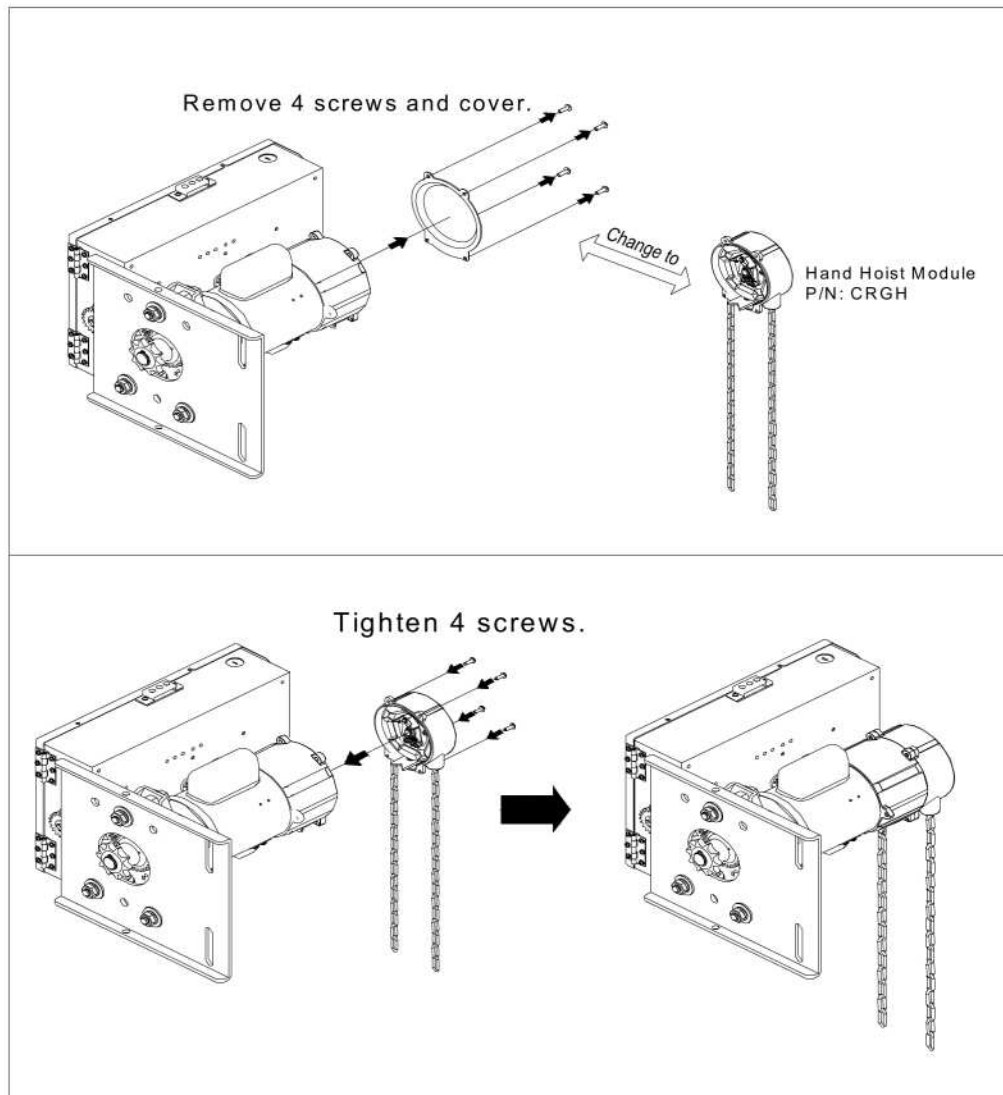
The auxiliary chain hoist is for emergency use only **NOT** for daily operation. Over use will cause damage, which is not covered under the manufacturer's warranty.



### **WARNING**

Turn off power to the operator before manually operating the door. Hand chain must be kept inside chain bag when operating electrically.

### Chain Hoist Module Installation Instruction



## OPTIONAL AUXILIARY HAND CRANK

To operate the auxiliary chain crank:

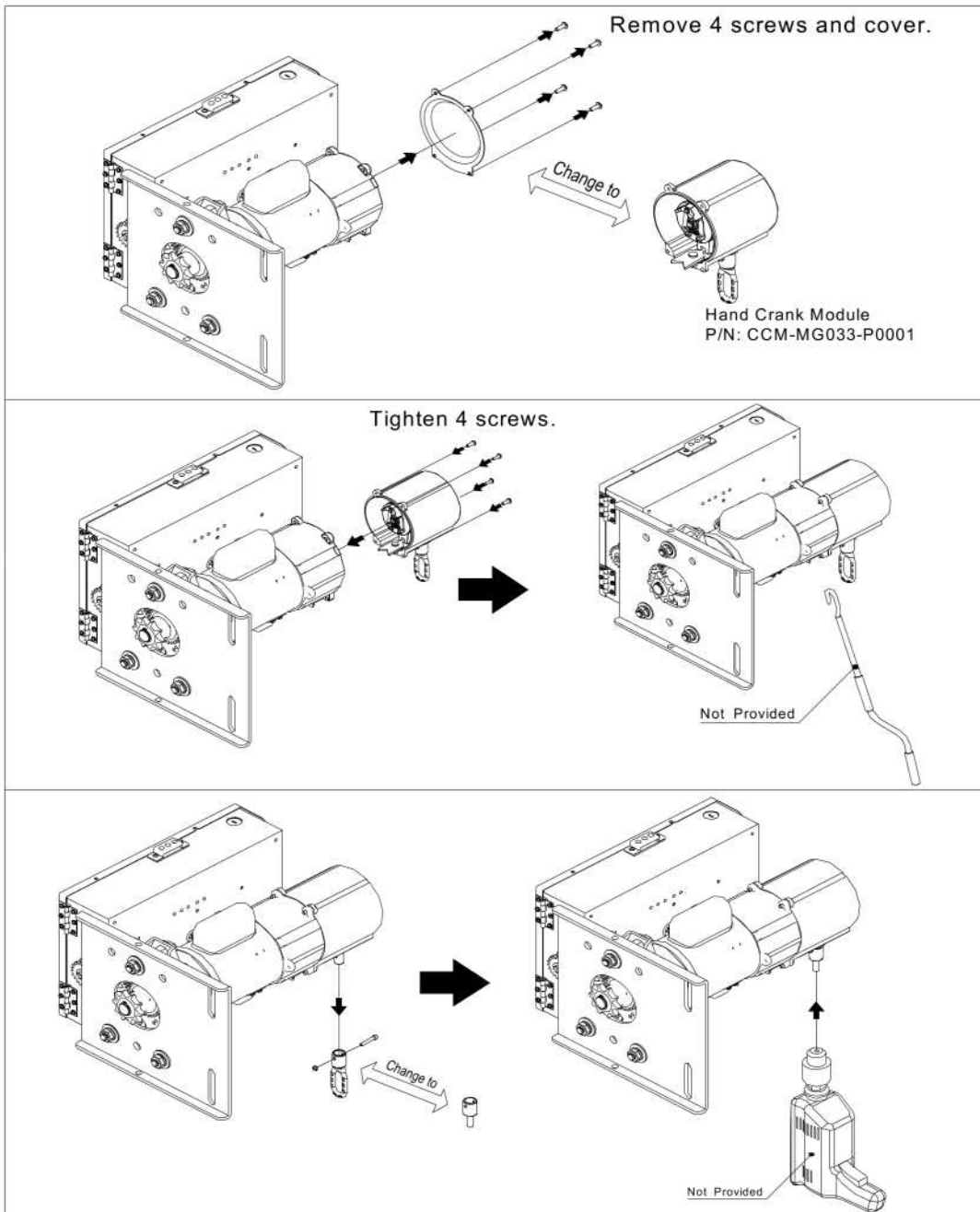
1. Insert the crank handle onto the operator crank.
2. Turn the crank to operate the door in the desired direction. (No clutch to engage)



**WARNING**

Turn off power to the operator before manually operating the door.

### Hand Crank Module Installation Instruction



## **MAINTENANCE INSTRUCTIONS**

The brake is a self-adjusting brake. It is maintenance free. The brake assembly requires no additional adjustments for its lifetime.

If an entrapment protection device is used, i.e. sensing edge or photoelectric sensors, please consult the manufacturer for maintenance instruction.



**Disconnect power supply to the operator before servicing.**

### **WARNING**

Check the following items at the intervals listed:

CHECK LIST	DESCRIPTION	EVERY 3 MONTHS	EVERY 6 MONTHS	EVERY 12 MONTHS
Drive Chain	Check for excessive slack. Check & adjust as required Lubricate.	●		
Sprockets	Check set screw tightness	●		
Fasteners	Check & tighten as required		●	
Bearings & Shafts	Check for wear & lubricate	●		

- ❖ Do not lubricate motor. Lubrication could cause damage.
- ❖ Inspect and service whenever a malfunction either door or operator is observed or suspected.
- ❖ Before servicing, always disconnect power supply to the operator.
- ❖ Replace fuses only with those of the same type and rating.
- ❖ All replacement parts must be compatible with those originally provided. Consult manufacturer for replacement parts.



**Do not place hands or tools in or near the operator when the power is connected or when testing control or sensing devices. Always disconnect power before servicing or adjusting the operator.**

### **WARNING**

## **U.S. GEAR**

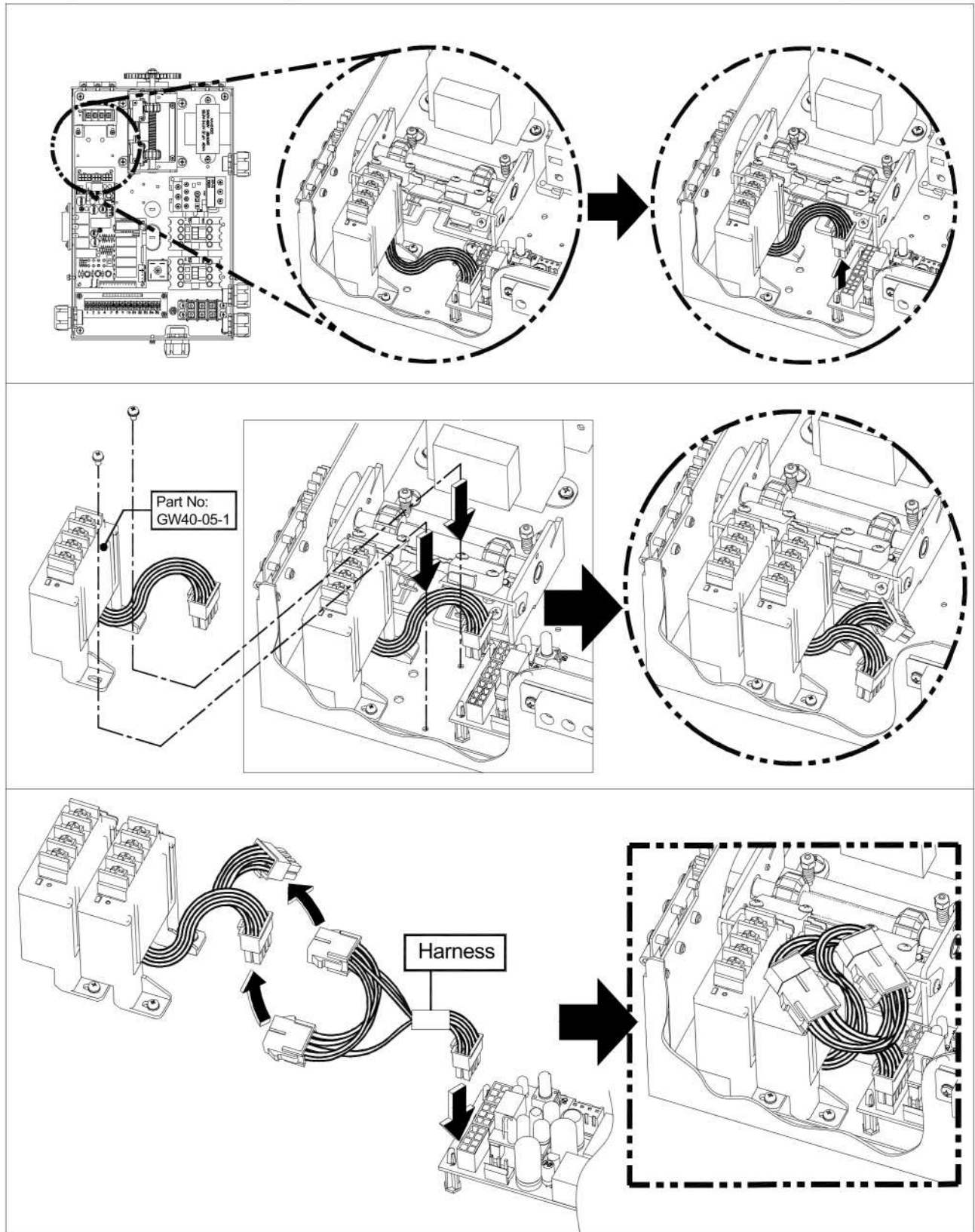
**Covered under US Pat. #6,900,602, #7,055,283, #7,341,129 and additional patents pending.**

# APPENDIX 1

## Multiple Device Adapter With 2<sup>ND</sup> ELR/IR Instructions

Warning: Power OFF When Connecting.

QST-HB-ADAPTER-2





# APPENDIX 2

GW40-10

Warning: Power OFF When Connecting.

## Reclose Timer Module Instructions

QST-HB-TIMER-4

### Contents:

Plastic Stand-off



X 1

Reclose Timer Module

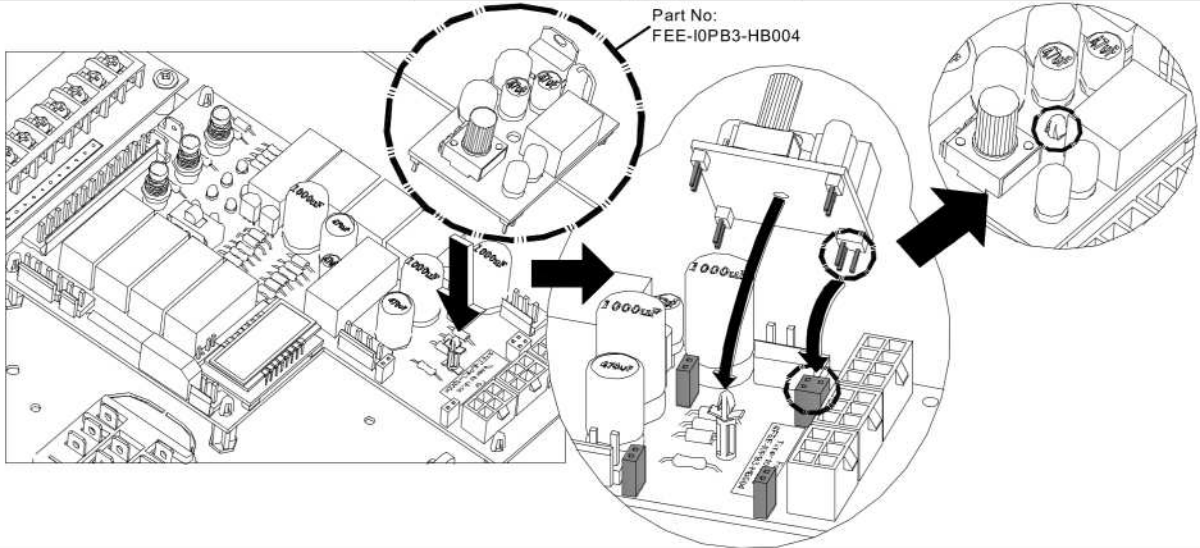
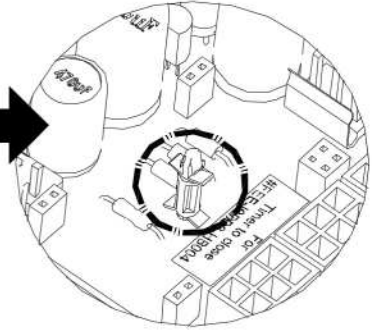
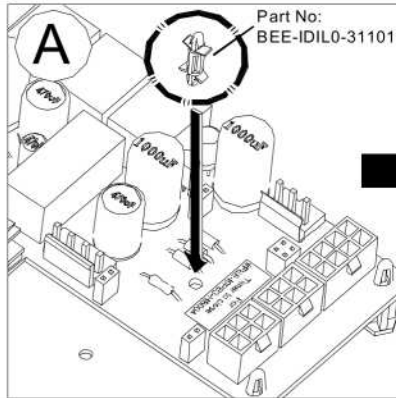
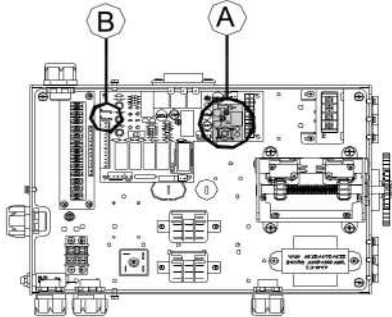


X 1

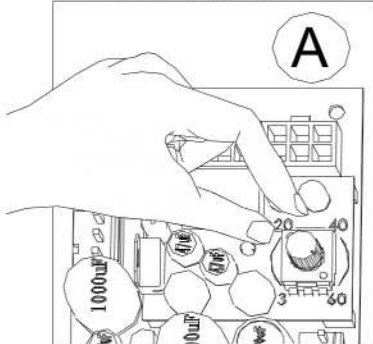
Jumper Wire



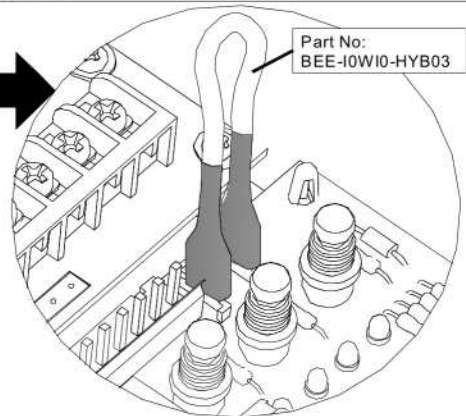
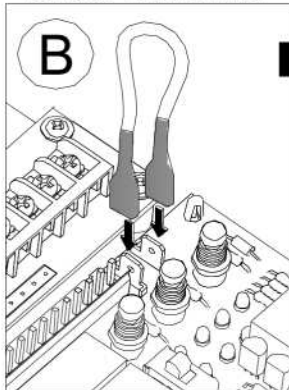
X 1

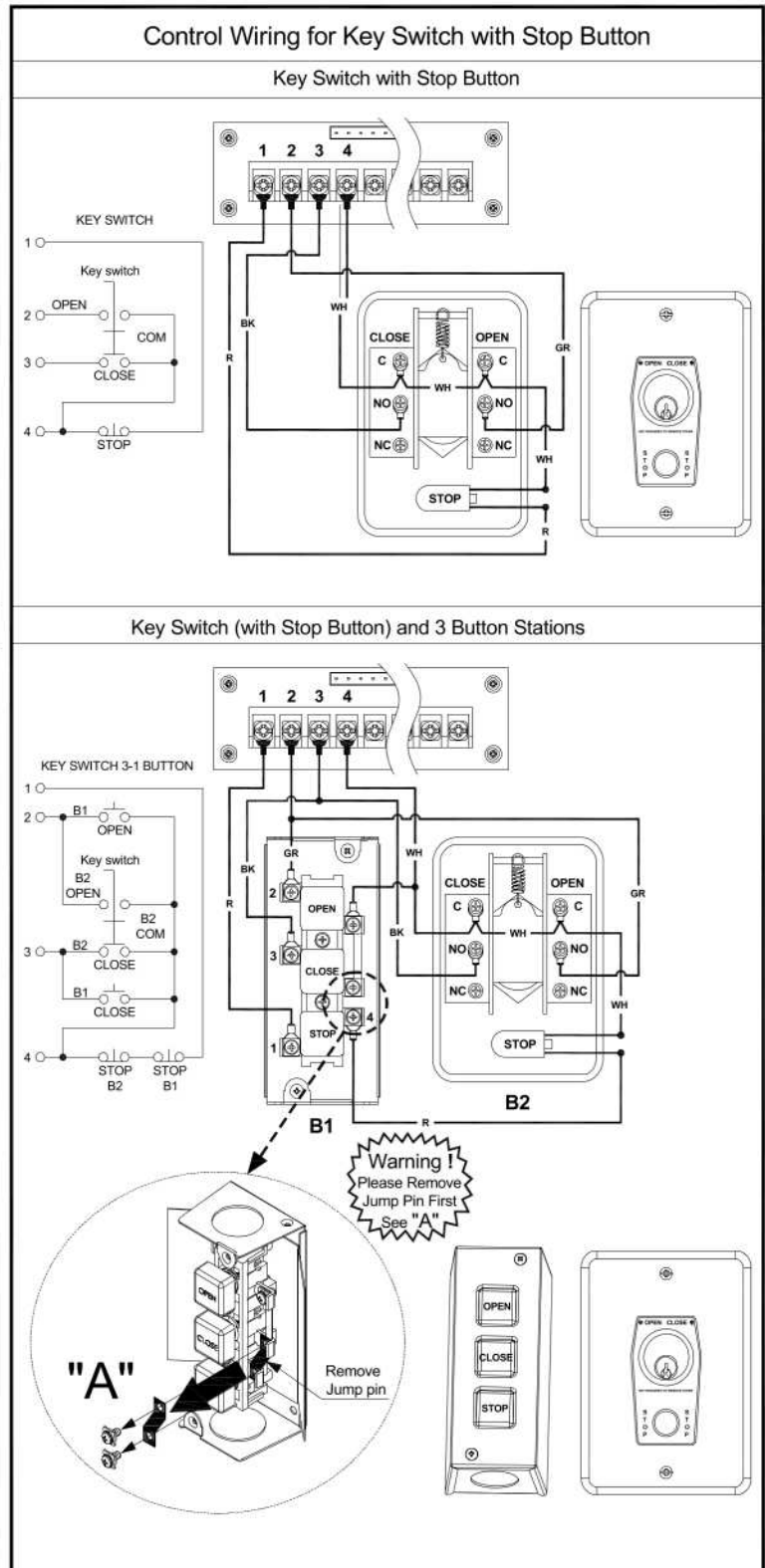
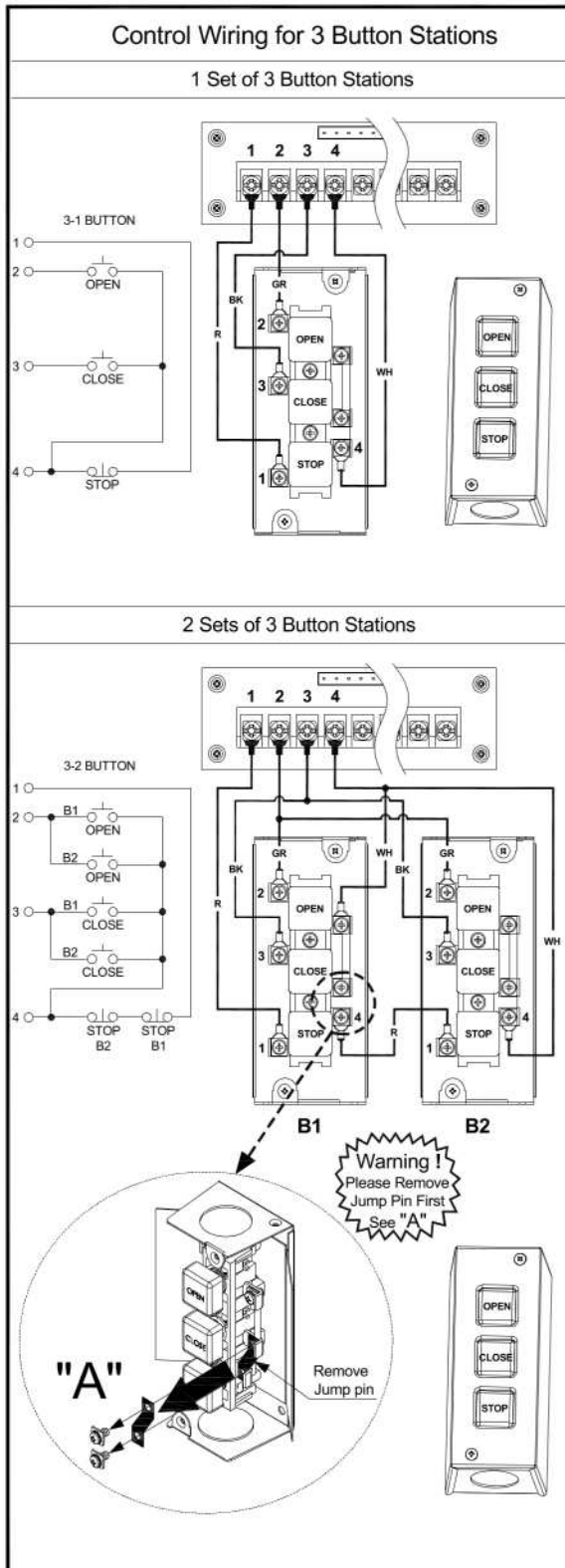


Turn Knob to Adjust Time



Jump to Enable Timer



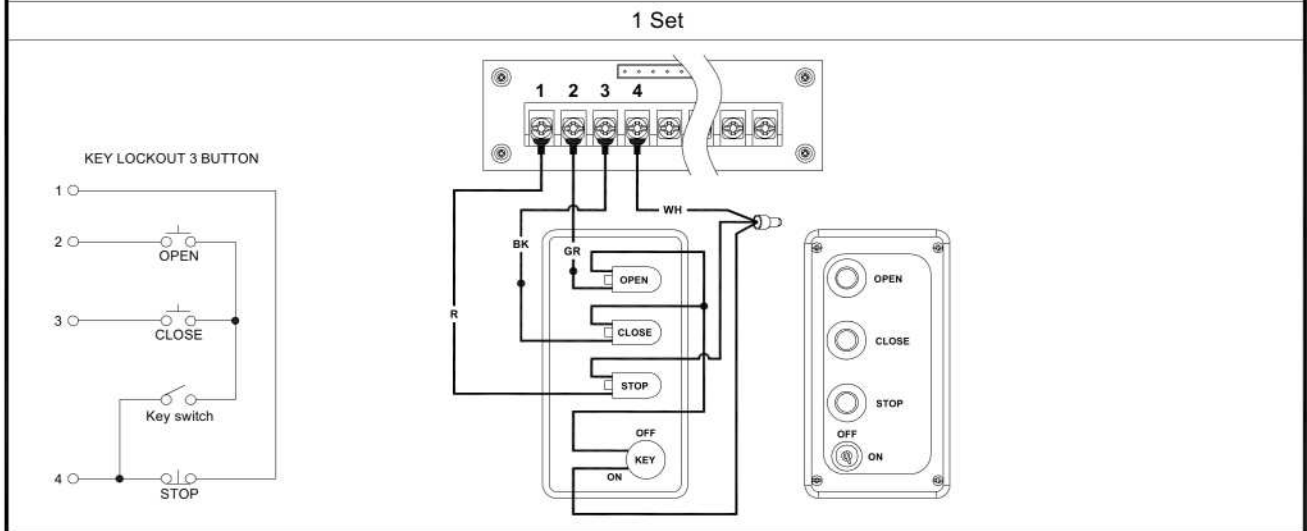


# APPENDIX 4

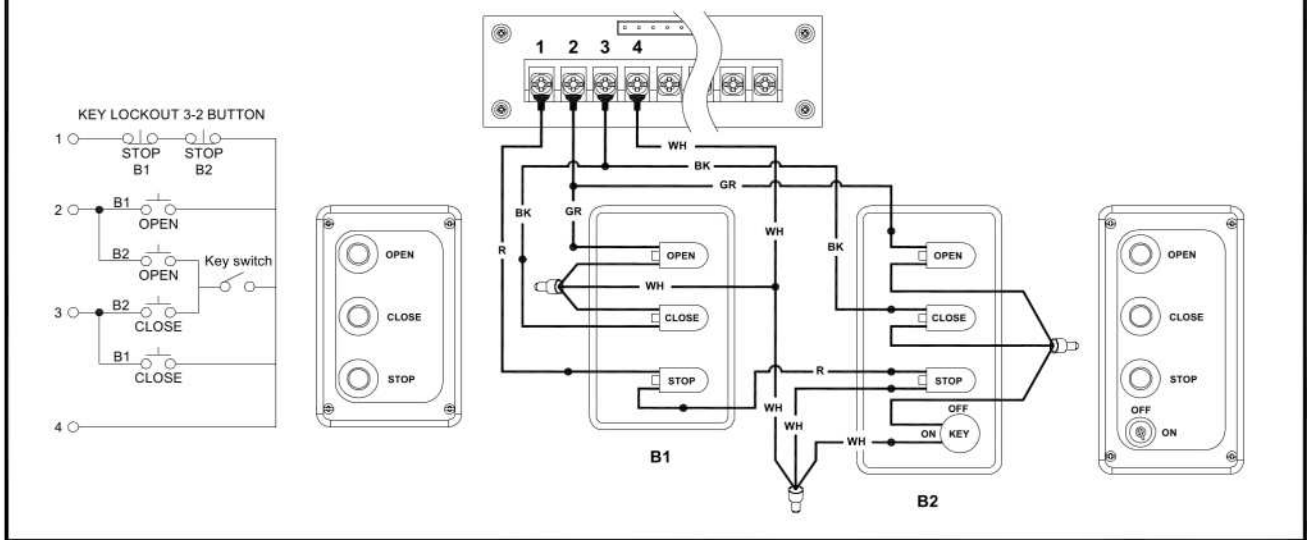
## Control Connections Diagrams

CCD-PCB-B02

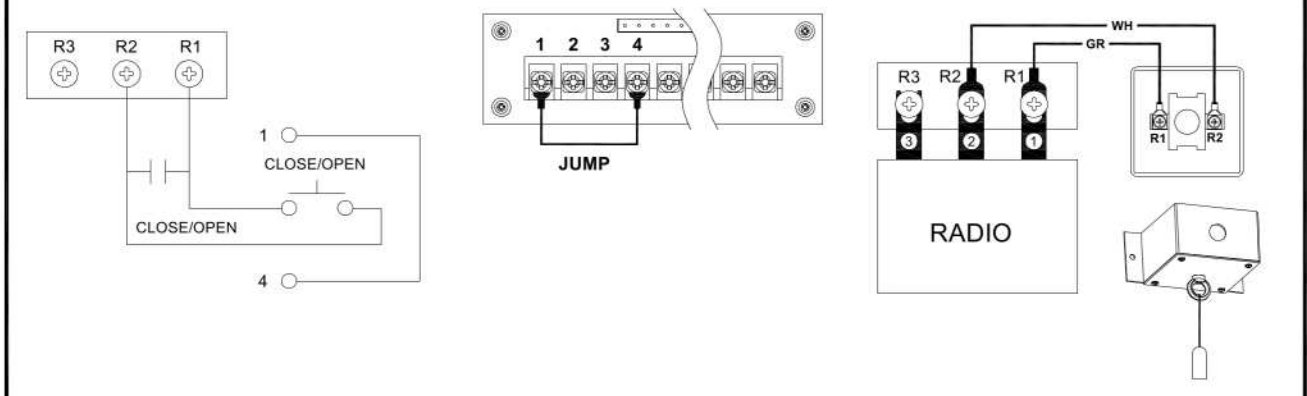
### Wiring 3 Button Stations With Key Lockout



### With and without key lockout



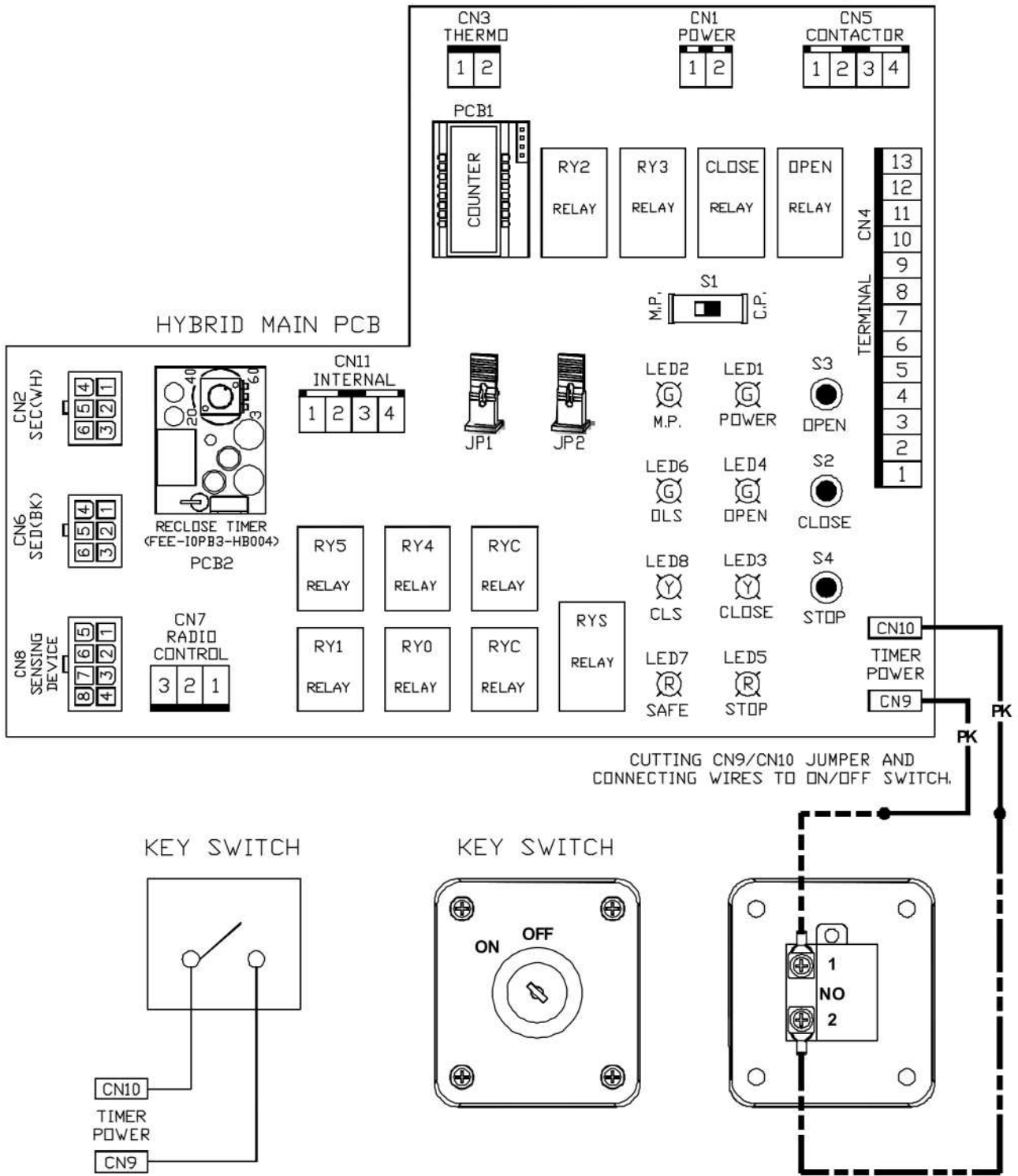
### Ceiling Pull Switch Station



# APPENDIX 5

## EXTERNAL TIMER DEFEAT SWITCH CONNECTION-HYBRID BOARD

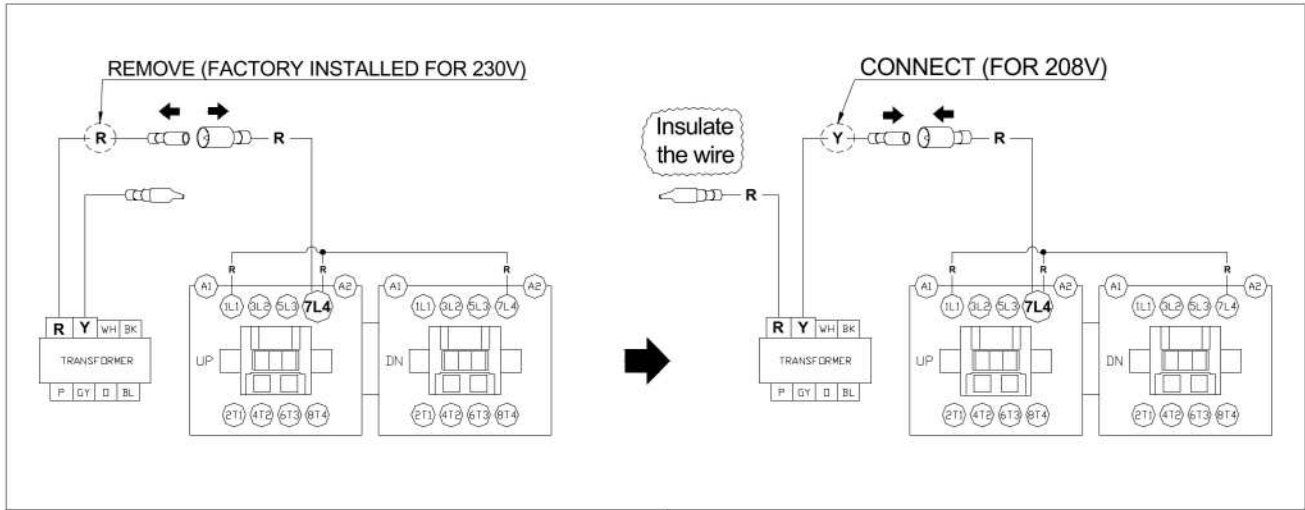
ETDS-HY002



# APPENDIX 6

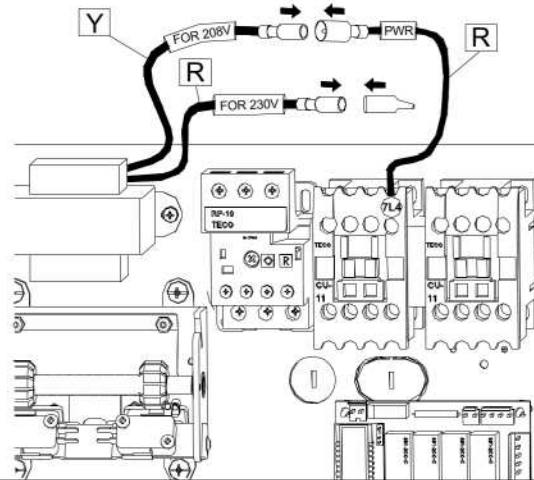
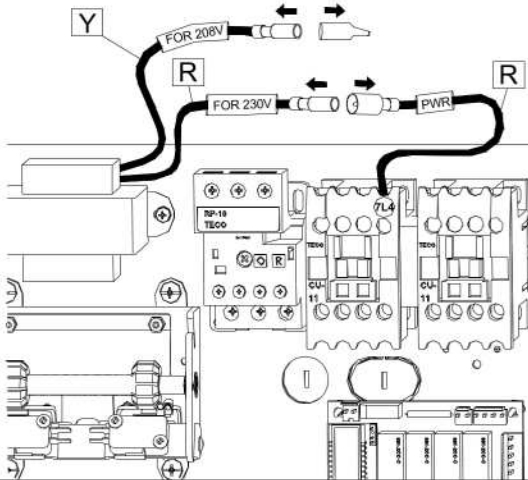
## Wiring Change Instruction from 230V to 208V 3 Phase Operator Hybrid MG E Series

MG-HB-3P-V02

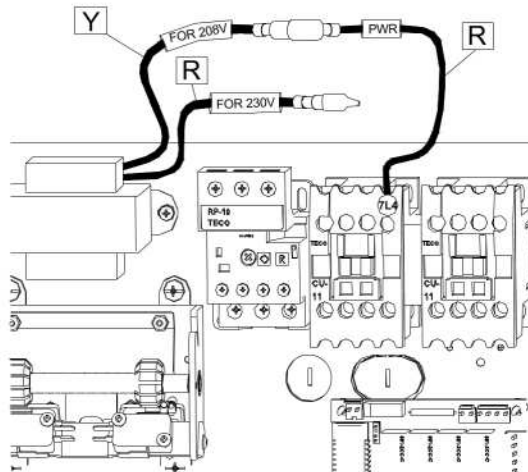


1. Unplug the red "230V" wire connector from the red "PWR" wire connector.  
Remove the insulating cap from the yellow "208V" wire connector.

2. Put the insulating cap on the red "230V" wire connector.  
Plug the yellow "208V" wire connector into the red "PWR" wire connector.



3. Completed.





» OPERADOR INDUSTRIAL LATERAL PARA CORTINA ENROLLABLE MARCA  
COOKSON, CORNELL, RAYNOR, LAWRENCE DOOR SERIE MGRL 115V 1/3HP,  
1/2HP.



Puertas & Portones Automáticos, S.A. de C.V.

*¡Nuestra pasión es la Solución!....*



Versión Digital.

(229) 461-7028



portonesautomaticos@adsver.com.mx  
portonesautomaticos@prodigy.net.mx



RESIDENCIAL



COMERCIAL



INDUSTRIAL

MEMBER



International Door Association



V05.21